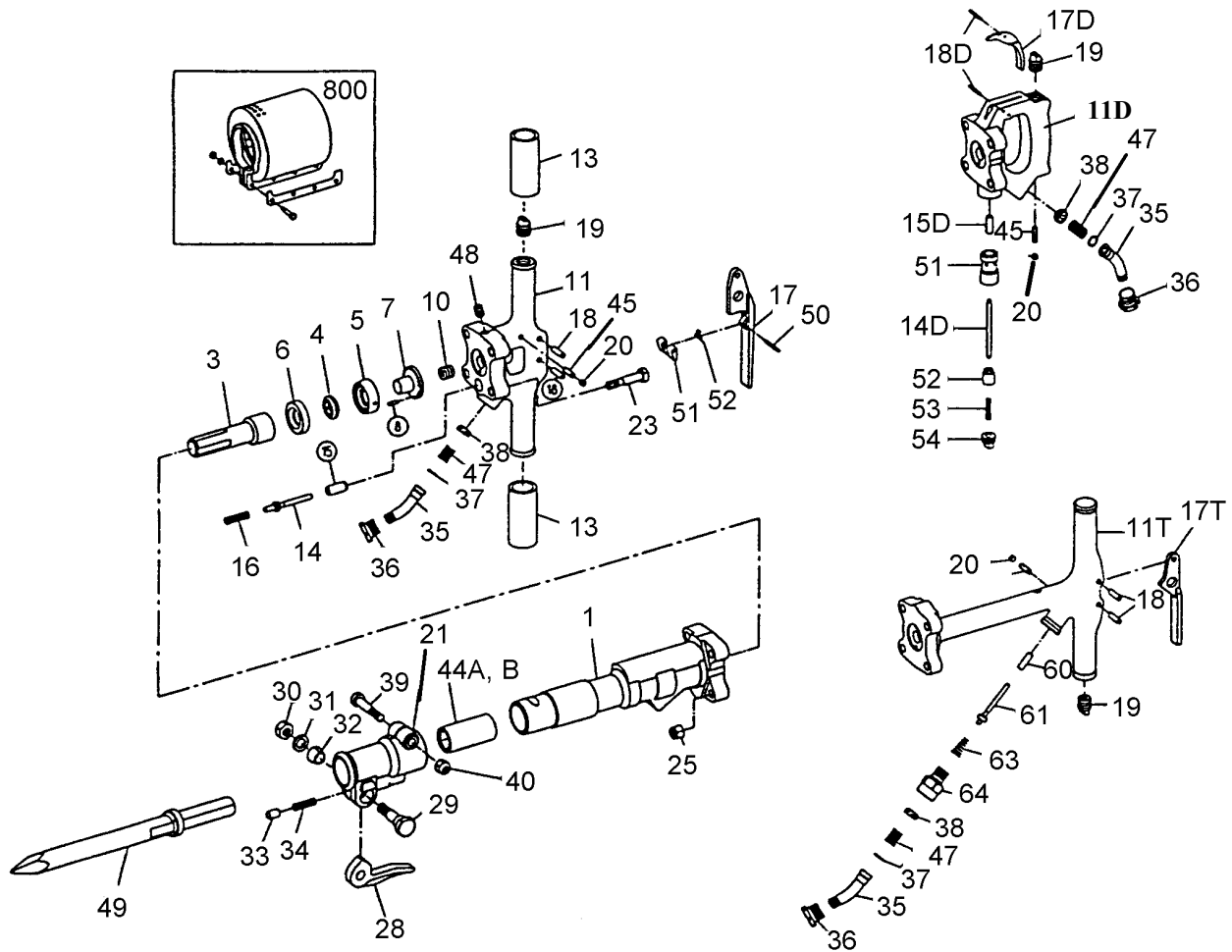


PARTS LIST FOR TOKU TPB-30, TCD-30 & TRC-30
Tools Renewed Inc
800-247-3639 Fax: 860-665-9821 www.toolsrenewed.com



INDEX	PART NO	DESCRIPTION (FOR TPB,TCD,TRC-30)
1	410201010	CYLINDER
3	410201040	PISTON
4	410201151	VALVE
5	410201191	VALVE CHEST
6	410201171	VALVE SEAT
7	410201201	VALVE GUIDE
8	130401025	VALVE CHEST DOWEL PIN
10	130801025	PLUNGER SPRING - USE 130801023
11	410201480	BACK HEAD
13	136601011 ***	RUBBER GRIP
14	410201270 ***	THROTTLE VALVE
15	410201300 ***	THROTTLE VALVE STEM GUIDE
16	130801026	THROTTLE VALVE SPRING
17	410241311 ***	THROTTLE LEVER
18	410201330 ***	THROTTLE LEVER PIN
19	134905012	OIL PLUG
20	134901001 ***	OIL CONTROL PLUG
21	410201530	FRONT HEAD
23	410201500	BACK HEAD BOLT

PARTS LIST FOR TOKU TPB-30, TCD-30 & TRC-30
Tools Renewed Inc
800-247-3639 Fax: 860-665-9821 www.toolsrenewed.com

INDEX	PART NO	DESCRIPTION (FOR TPB,TCD,TRC-30)
25	134201012	NYLON NUT (UNF 'A)
28	410201610	STEEL RETAINER
29	410201621	STEEL RETAINER BOLT
30	134601016 ***	NYLON NUT
31	131301016 *	SPRING WASHER USE 131301116
32	410201640	STEEL RETAINER BOLT BUSHING
33	410201650	STEEL RETAINER PLUNGER
34	130801028	STEEL RETAINER SPRING
35	410201370	AIR INLET SWIVEL
36	410201390	AIR INLET SWIVEL NUT
37	131103014	O-RING
38	136801005	AIR INLET SCREEN
39	410201540	FRONT HEAD BOLT
40	134201012	NYLON NUT
44A	410201570	FRONT HEAD BUSHING 7/8
44B	410205570	FRONT HEAD BUSHING 1"
45	13610101 I ***	OIL CONTROL FELT
47	130801027	AIR INLET SWIVEL SPRING
48	134903002	GDL PLUG
50	130604040 ***	SPRING PIN
51	410241760 ***	STOP LEVER
52	130801046 ***	STOP LEVER SPRING
800	41020187C	MUFFLER CP
(11CP)	41020148A	BACK HEAD CP (11,13,14,15,16,17,18,19,20,35,36,37,38,45,47,48,50,51,52)
(21CP)	41020153D	FRONT HEAD CP (21,28,29,30,31,32,33,34)

Trencher Parts

INDEX	PART NO	DESCRIPTION (TRENCHER)
11T	410221480	BACK HEAD
17T	410221310	THROTTLE LEVER
18	410201330 ***	THROTTLE LEVER PIN
19	134905012	OIL PLUG (NPTF 'A)
2	134901001 ***	OIL CONTROL PLUG - USE 134903001
35	410201370	AIR INLET SWIVEL
36	410201390	AIR INLET SWIVEL NUT
37	131103014	O-RING
38	136801005	AIR INLET SCREEN
45	136101011 ***	OIL CONTROL FELT
47	130801027	AIR INLET SWIVEL SPRING

Digger Parts

INDEX	PART NO	DESCRIPTION (DIGGER)
11D	410211480	BACK HEAD
14D	130401031	THROTTLE VALVE STEM
15D	410221300	THROTTLE VALVE STEM GUIDE
17D	410211120	TRIGGER
18D	130401030	TRIGGER PIN
19	410211720	OIL PLUG (NPTF 1/2) - USE 410211770
20	134901001	OIL CONTROL PLUG (PP-2PT 1/8) - USE
35	410201370	AIR INLET SWIVEL
36	410201390	AIR INLET SWIVEL NUT
37	131103014	O-RING (S-16)
38	136801005	AIR INLET SCREEN
45	136101011	OIL CONTROL FELT
47	130801027	AIR INLET SWIVEL SPRING
51	410211280	THROTTLE VALVE BUSHING
52	410211270	THROTTLE VALVE
53	130801032	THROTTLE VALVE SPRING
54	410211770	VALVE CAP (NPT 'A)
(11DCP)	41021148A	BACK HEAD CP