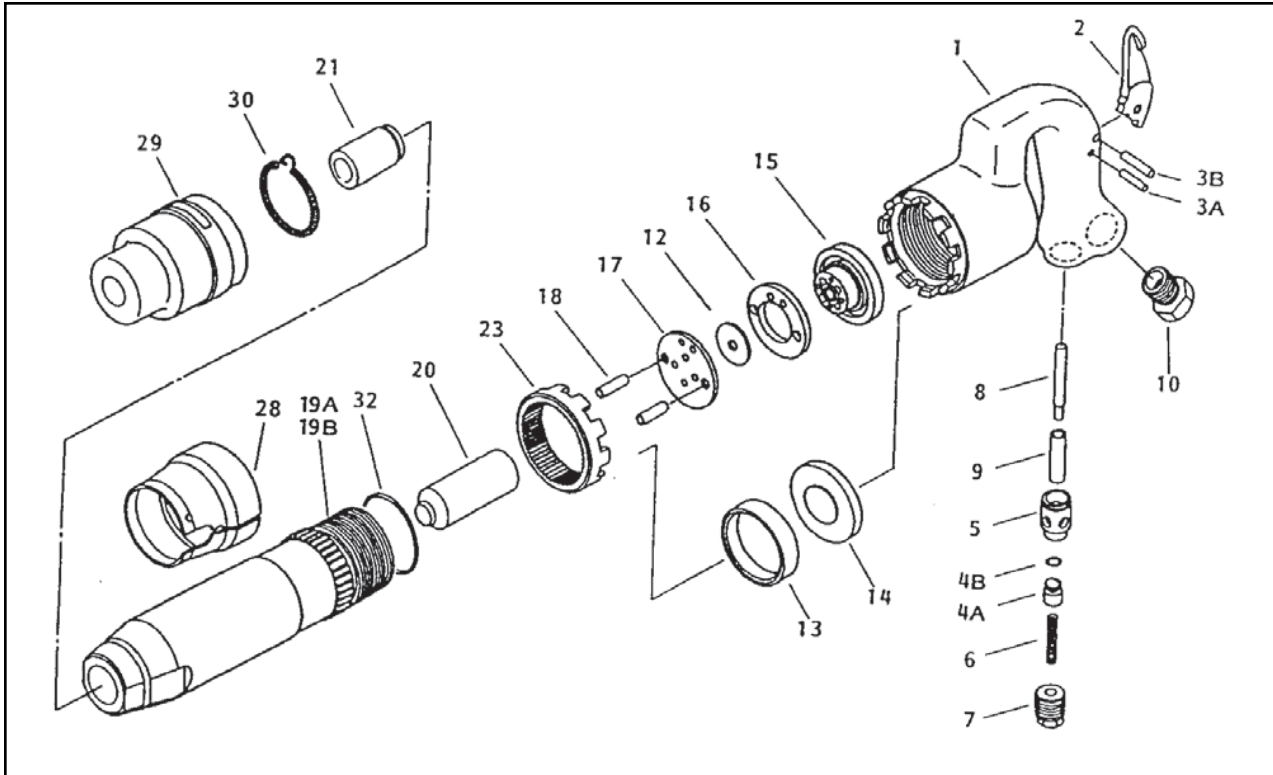


TOKU-THH 1, 2, 3, 4, CHIPPING HAMMER (15lb)



Index	Part No.	Description	Index	Part No.	Description
	Y1021201ASO	Handle Complete	18	Y10212190	Valve Knock
	Y10212010	Handle Bare	19B	Y1021220L	Cyl for THH-1B (Ring Valve)
1	Y1021201B	Handle (with T. V. Bush)	19A	Y10212200	Cyl for THH-1B (Simplate)
2	Y10212020	Lever	19B	Y1021420L	Cyl for THH-2B (Ring Valve)
3A	Y10212030	Lever Pin 6 x 20	19A	Y10214200	Cyl for THH-2B (Sim Plate)
3B	Y30104030	Lever Pin 5 x 20	19B	Y1021620L	Cyl for THH-3B (Ring Valve)
4A	Y10212050	Throttle Valve	19A	Y10216200	Cyl for THH-3B (Sim Plate)
4B	Y10212060	Throttle Valve O-Ring	19B	Y1021820L	Cyl for THH-4B (Ring Valve)
5	Y10212070	Throttle Valve Bushing	19A	Y10218200	Cyl for THH-4B (Sim Plate)
6	Y10301070	Throttle Valve Spring	20	Y10212210	Piston for THH-1B
7	Y10212090	Throttle Valve Cap		Y10214210	Piston for THH-2B
8	Y10212100	Push Rod		Y10216210	Piston for THH-3B
9	Y10212110	Push Rod Sleeve		Y10218210	Piston for THH-4B
10	Y30101120	Screw Bushing		Y1021224H	Shank Bushing (Hex)
12	Y10212150	Sim Plate Valve	21	Y1021224R	Shank Bushing (Round)
13	Y10246140	Ring Valve (Ring Valve)	23	Y10212250	Clutch
14	Y10246150	Ring Valve Plate	28	Y10212260	Exhaust Band
15	Y10212160	Valve Seat (Rear)	29	T25119002	Retainer-Repl:(Y10212290)
16	Y10212170	Valve Seat (Middle)	30	Y10212300	Retainer Spring
17	Y10212180	Valve Seat (Front)	32	Y10212320	Cylinder O-Ring 9-50