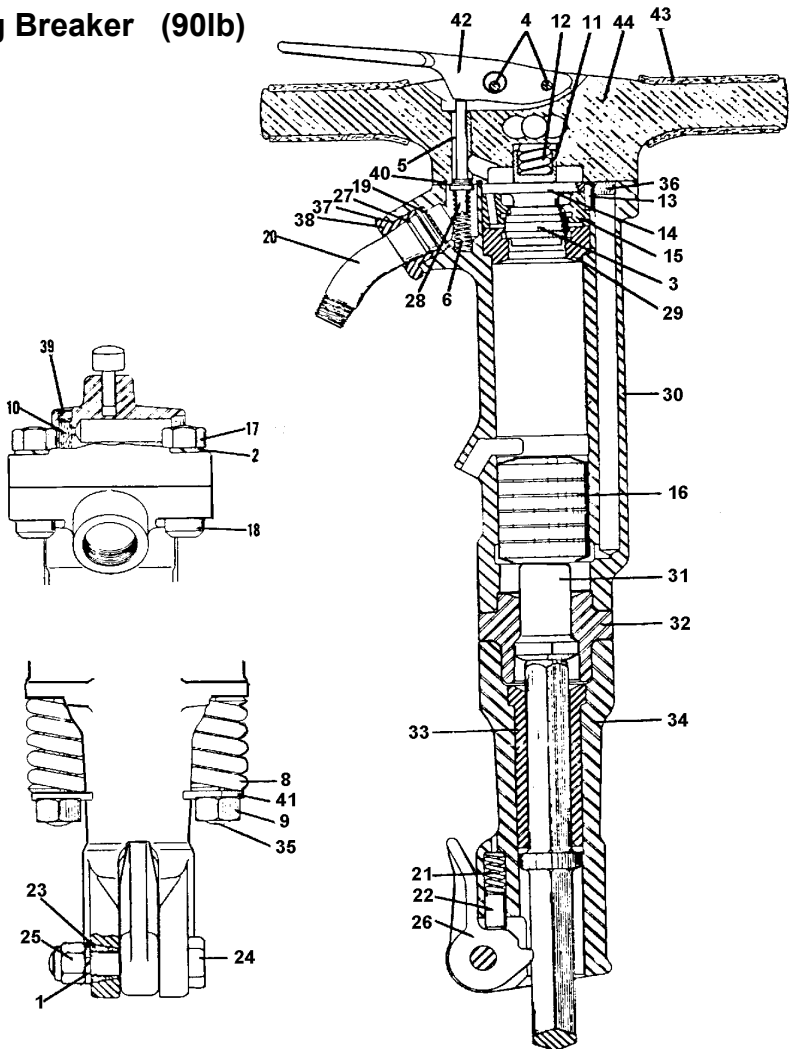


Thor Model 125 Paving Breaker (90lb)

Item	Part No.	Description
1	43007	Lockwasher
2	43143	Lockwasher
3	43186	Automatic Valve
4	43393	Throttle Lever Pin
5	43395	Valve Bushing
6	43397	Throttle Valve Spring
8	43412	Spring-Side Rod
9	43414	Nut-Side Rod
10	43473	Oil Control Felt
11	43474	Plunger
12	43475	Plunger Spring
13	43477	Dowel Pin
14	43478	Valve Guide
15	43480	Valve Chest-Rear
16	43484	Piston Hammer
17	43500	Backhead Nut
18	43502	Backhead Bolt
19	43510	Air Inlet Screen
20	43512	Inlet Swivel w/ O-ring
21	43521	Plunger Spring
22	43522	Steel Retainer Plunger
23	45605	Bolt Bushing-Steel
23A	43523	Bolt Bushing-Rubber
24	43524	Bolt-Retainer
25	43525	Nut-Retainer Bolt
26	43527	Steel Retainer
27	45259	O-Ring-Inlet Swivel
28	46893	Throttle Valve
29	46894	Valve Chest-Front
30	46895	Cylinder
31	46896	Tappet
32	46897	Tappet Seat
33	46898	Fronthead Bushing 1-1/8"
33	46899	Fronthead Bushing 1-1/4"



Item	Part No.	Description
34	46900	Fronthead-Bare (No Bushing)
	46902	Fronthead-Complete Assy. 1-1/8"
	46903	Fronthead-Complete Assy. 1-1/4"
	91509	Fronthead & Bushing Only 1-1/8"
	91510	Fronthead & Bushing Only 1-1/4"
35	98438	Fronthead Bolt
36	48385	Cylinder Plug
37	46401	O-Ring-Swivel Nut
38	43169	Swivel Nut
39	68073	Oil Control Plug
40	62907	Valve Port O-Ring
41	91468	Lockwasher
42	43428	Throttle Lever
43	43476	Rubber Grip
44	51973	Backhead-Bare
	43844	Spiker Ram (available)

For complete Latch Assembly
 Use Part Number **LKIT-THOR60/90** Includes: 1, 21,
 22, 23, 24, 25, 26

