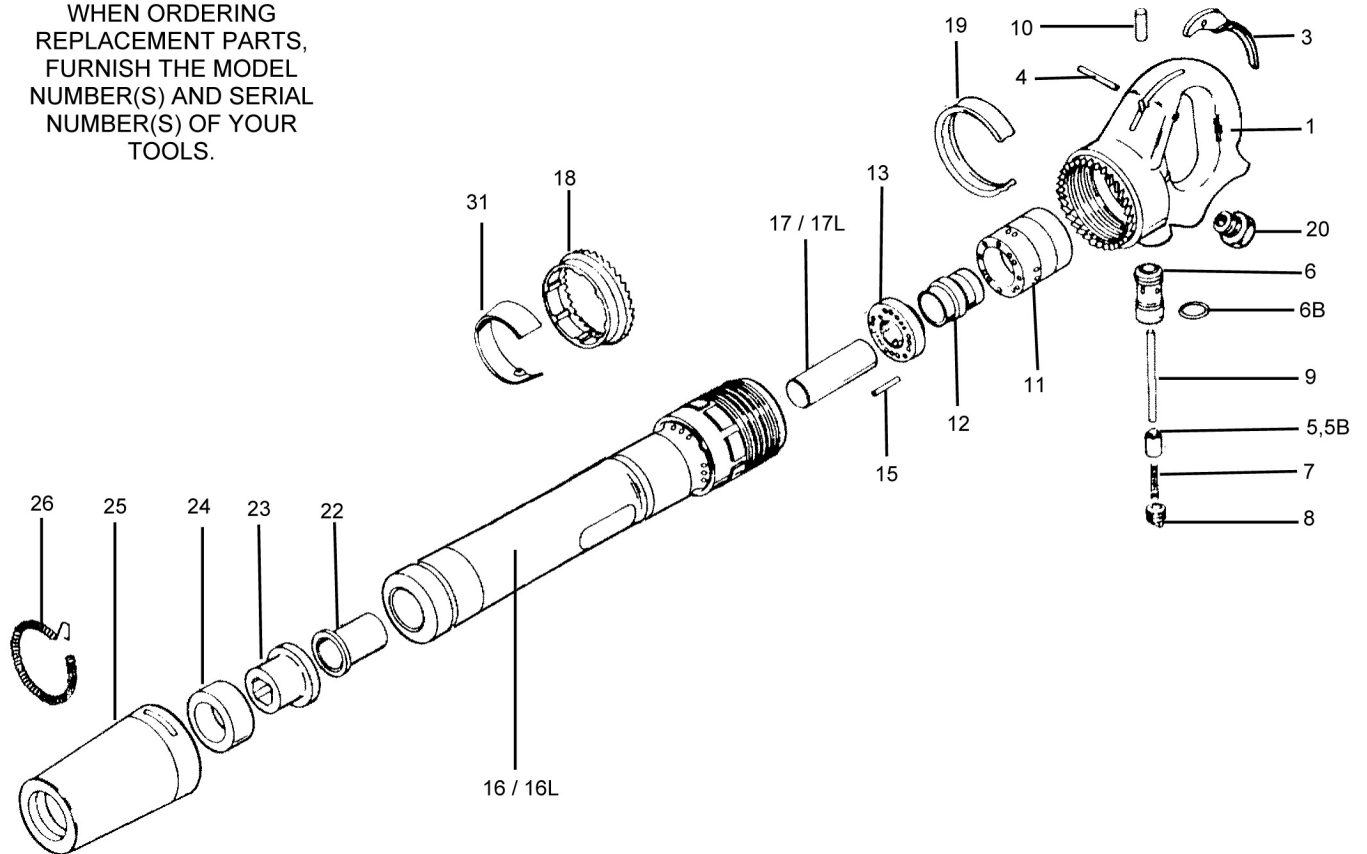


# PARTS LIST RIVETBUSTERS 30 & 40 lb class SRB-8, 11

WHEN ORDERING REPLACEMENT PARTS, FURNISH THE MODEL NUMBER(S) AND SERIAL NUMBER(S) OF YOUR TOOLS.



INDEX	PART	DESCRIPTION	INDEX	PART	DESCRIPTION
1	SI6761	HANDLE BARE (INCL. 6770)	16L	SI6776LTB	BARREL (#11)
NS	SI6762	HANDLE COMPLETE	17	SI6777B	PISTON 3"
3	SI6763	THROTTLE LEVER	17L	SI6777BL	PISTON 4" *
4	SI6764	THROTTLE LEVER PIN	18	SI6778	HANDLE LOCK RING
5	SI6765	THROTTLE VALVE	19	SI6779	HANDLE LOCK SPRING
5B	SI6765B	THROTTLE VALVE "O" RING**	20	SI6780	HANDLE BUSHING
6	SI6766	THROTTLE VALVE BUSHING	22	SI6682	UPPER SLEEVE BUSHING
6B	SI6766B	THROTTLE VALVE "O" RING	23	SI6083	LOWER SLEEVE BUSHING
7	SI6767	THROTTLE VALVE SPRING	24	SI6084	RETAINER BUMPER(URETHANE)
8	SI6768	THROTTLE VALVE PLUG	25	SI6085	RETAINER
9	SI6769	PUSH PIN	26	SI6686	RETAINER SPRING
10	SI6770	PUSH PIN BUSHING	31	SI6781	EXHAUST DEFLECTOR
11	SI6771	VALVE BOX	NS	SI6235	SWIVEL (OPTIONAL)
12	SI6772	VALVE	NS	SI6086	JUMBO RETAINER COMPLETE
13	SI6773	VALVE COVER FRONT			
NS	SI6774	VALVE ASSEMBLY			
15	SI6775	VALVE DOWEL PIN			
16	SI6776TB	BARREL (#8)			

\*note: PN: SI6777BL may be used in model 8RB to produce more energy at a slower B.P.M.

\*\*note PN: SI6765B may be purchased locally as 2-010

Tools Renewed Inc  
 Tel: 800-247-3639 Fax: 860-665-09821  
 Email: sales@toolsrenewed.com