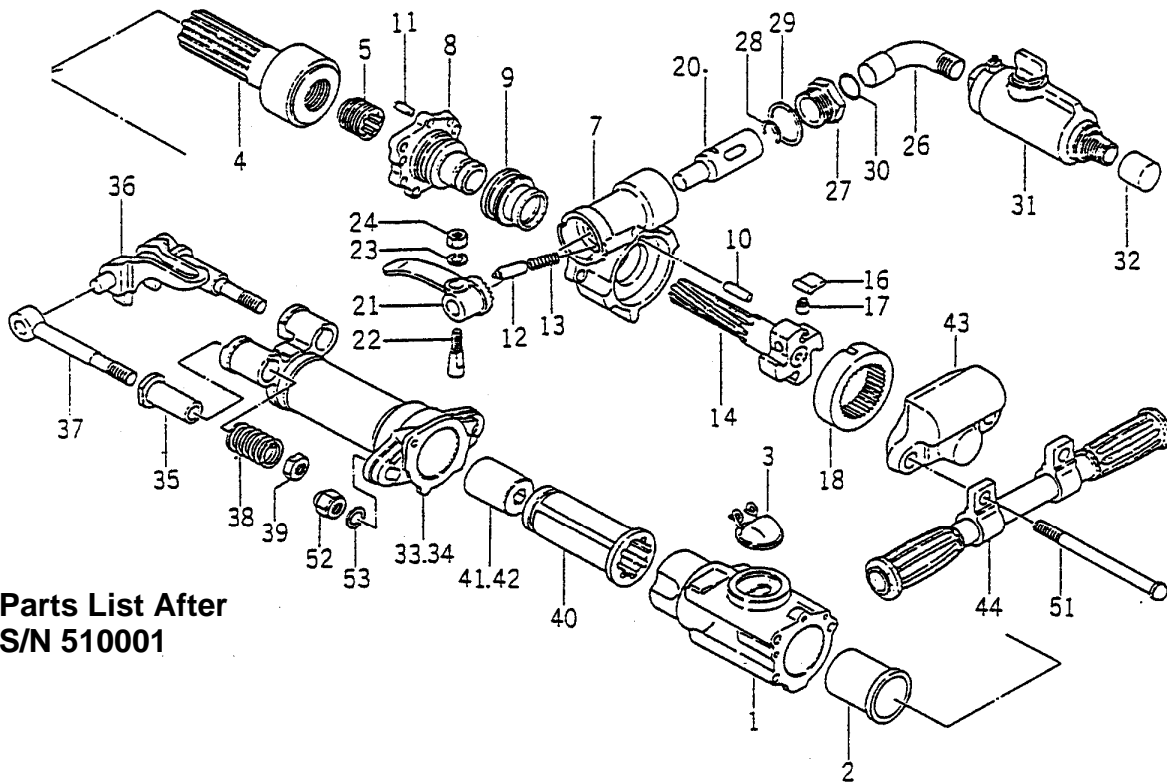


Kent Model 112D Rockdrill (Current Tools with Serial No. after 510001)



Parts List After S/N 510001

Item	Part No.	Description	Item	Part No.	Description
1	K17500	Cylinder	27	K18626	Air Hose Plug
2	K18601	Cylinder Bushing	28	K18627	Air Hose Tube Retainer
3	K17501	Exhaust Cap	29	K18628	Air Hose Washer
4	K17502	Piston	30	K17512	O-Ring
5	K17503	Rifle Nut	31	K18630	Crystal Oiler
7	K17504	Valve Case	32	K17511	Connection Tube Cap
8	K18607	Valve Plug	33	K18632	Fronthead (7/8" X 3-1/4")
9	K18608	Valve	34	K18633	Fronthead (1" X 4-1/4")
10	K17505	Ratchet Ring Dowel	35	K18634	Fronthead Bushing
11	K18610	Valve Case Dowel	36	K18635	Steel Puller
12	K18611	Detent Plunger	37	K17513	Steel Puller Bolt
13	K18612	Detent Plunger Spring	38	K18637	Steel Puller Spring
14	K18613	Rifle Bar	39	K17514	Steel Puller Nut
16	K18615	Pawl	40	K18639	Sleeve
17	K18616	Pawl Spring	41	K18640	Rotation Sleeve Bushing (7/8X3-1/4")
18	K18617	Ratchet Ring	42	K18641	Rotation Sleeve Bushing (1X4-1/4")
20	K17506	T. Valve w/ O-ring	43	K18642	Backhead
21	K18620	Throttle Handle	44	K18643	Sinker Handle
22	K17508	Throttle Bolt	51	K17515	Through Bolt
23	K17509	3/8" Spring Washer	52	K17517	Through Bolt Nut
24	K17510	3/8" Nut	53	K17516	1/2" Spring Washer
26	K18625	Air Hose Tube			