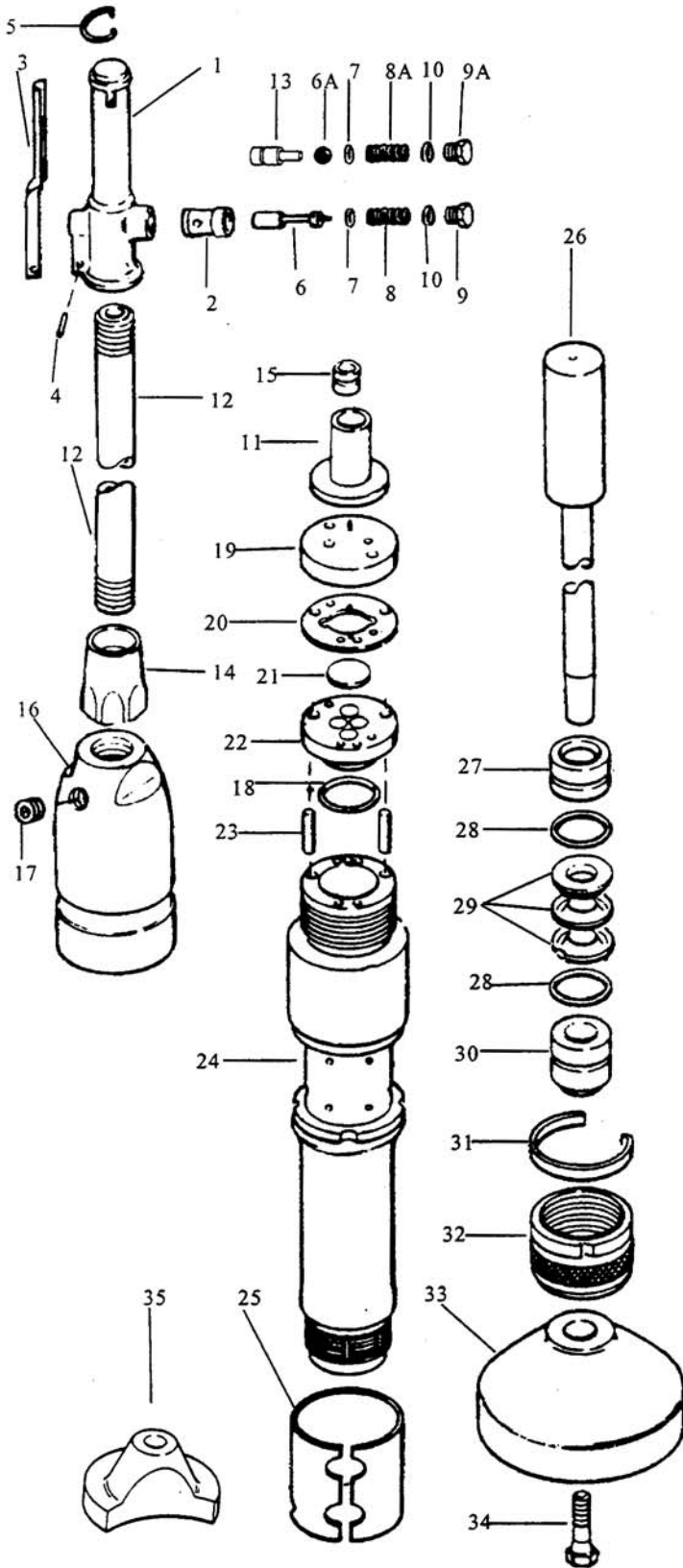




K6R Redline Tamper



Item	Kent P/N	Description
1	KBM02302	Throttle Body Complete
NS	K02302	Throttle Body Bare
NS	K04270	Throttle Body Bare (New)
2	K00603	Throttle Valve Bushing
3	K00604	Throttle Lever
4	K00605	Throttle Lever Fulcrum Pin
5	K09648	Throttle Lever Lock Clip
6	K00607	Throttle Valve Inc. K04283
6A	K04277	Throttle Ball (New Style)
7	K04283	Throttle Valve O-Ring
8	K00608	Throttle Valve Spring
8A	K04284	Throttle Valve Spring (New)
9	K00609	Throttle Valve Plug
9A	K04285	Throttle Valve Plug (New)
10	K04290	Throttle Valve Plug O-Ring
11	K04292	Oil Reservoir End Cap
12	K04410	Connecting Pipe
13	K04294	Push Pin Inc. K04283 (New)
14	K04258	Connecting Pipe Nut
15	K04259	Oil Control Bushing
16	K04271	Backhead
17	K04282	Oil Plug
18	K01171	Lower Valve Block O-Ring
19	K04268	Upper Valve Block
20	K04261	Center Plate
21	K04500	Valve Disk
22	K04260	Lower Valve Block
23	K04280	Valve Dowel Pin (2)
24	K04272	Barrel
25	K04263	Exhaust Deflector (Steel Shown) Comes standard with Rubber
26	K04266	Plunger
27	KBM04265	Upper Guide Bushing
28	K01114	Guide Bushing O-Ring (2)
29	K04287	Plunger Packing Set
30	KBM04286	Lower Guide Bushing
31	K04279	Packing Nut Lock Clip
32	K04264	Packing Nut
33	K04316	6" Malleable Iron Butt
NS	K04310	6" Iron Butt
34	K04267	Clamp Screw
35	K01642	Pole Butt

Tools Renewed Inc

Tel: 800-247-3639 Fax: 860-665-9821

Web: www.toolsrenewed.com