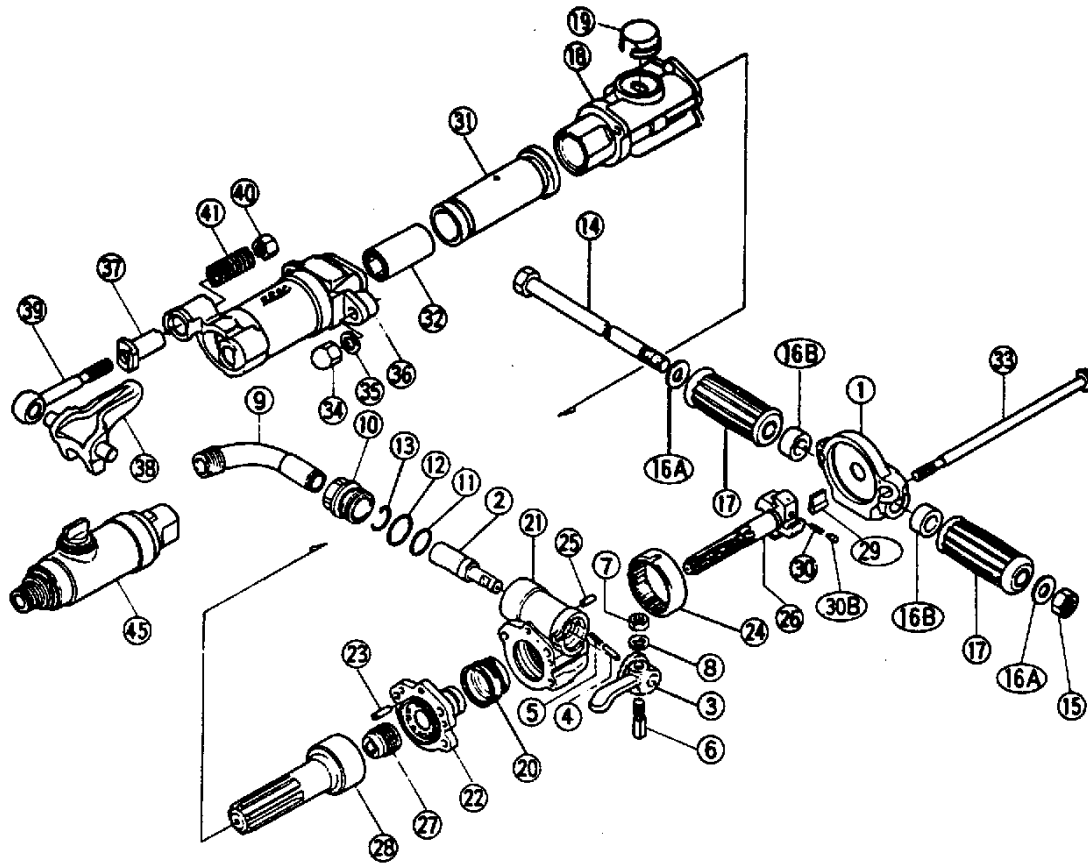


Jet RD-30 Rockdrill



RD-30 PARTSLIST

Part No.	Description	Part No.	Description
RD30-01	Back Head	RD30-24	Ratchet
RD30-02	Throttle Valve	RD30-25	Ratchet Key
RD30-03	Throttle Valve Handle	RD30-26	Rifle Bar (Old Style) N/A
RD30-04	Throttle Valve Plunger	RD30-26A	Rifle Bar (New Style)
RD30-05	Throttle Valve Spring	RD30-27	Rifle Nut
RD30-06	T V Bolt - Fine Thread	RD30-28	Piston
RD30-06A	T V Bolt - Coarse Thread	RD30-29	Rotation Pawl
RD30-07	T V Nut (M10) - Fine Thread	RD30-30	Pawl Spring (Old Style)
RD30-07A	T V Nut (M10) - Coarse Thread	RD30-30A	Pawl Spring (New Style)
RD30-08	Throttle Valve Washer	RD30-30B	Pawl Plunger
RD30-09	Air Connection Tube	RD30-31	Rotation Sleeve - Long 6-1/2"
RD30-10	Air Connection Nut	RD30-31A	Rotation Sleeve - Short 5-1/2"
RD30-11	Air Connection O-ring (P24)	RD30-32	Sleeve Bushing - Long 3-5/8"
RD30-12	Air Connection Washer (P30)	RD30-32A	Sleeve Bushing - Short 2-5/8"
RD30-13	Air Connection Clamp	RD30-33	Through Bolt
RD30-14	Handle Bolt	RD30-34	Through Bolt Nut
RD30-15	Handle Bolt Nut	RD30-35	Through Bolt Washer
RD30-16A	Handle Bolt Washer	RD30-36	Front Head - Long 8-3/4"
RD30-16B	Handle Collar	RD30-36A	Front Head - Short 7-3/4"
RD30-17	Handle Grip	RD30-37	Front Head Bushing
RD30-18	Cylinder	RD30-38	Steel Holder
RD30-19	Exhaust Cap	RD30-39	Steel Holder Bolt
RD30-20	Valve	RD30-40	Steel Holder Nut
RD30-21	Valve Chest	RD30-41	Steel Holder Spring
RD30-22	Valve Guide	RD30-42	Lock Washer N/A
RD30-23	Valve Knock	RD30-45P	Line Oiler ORDER DESK