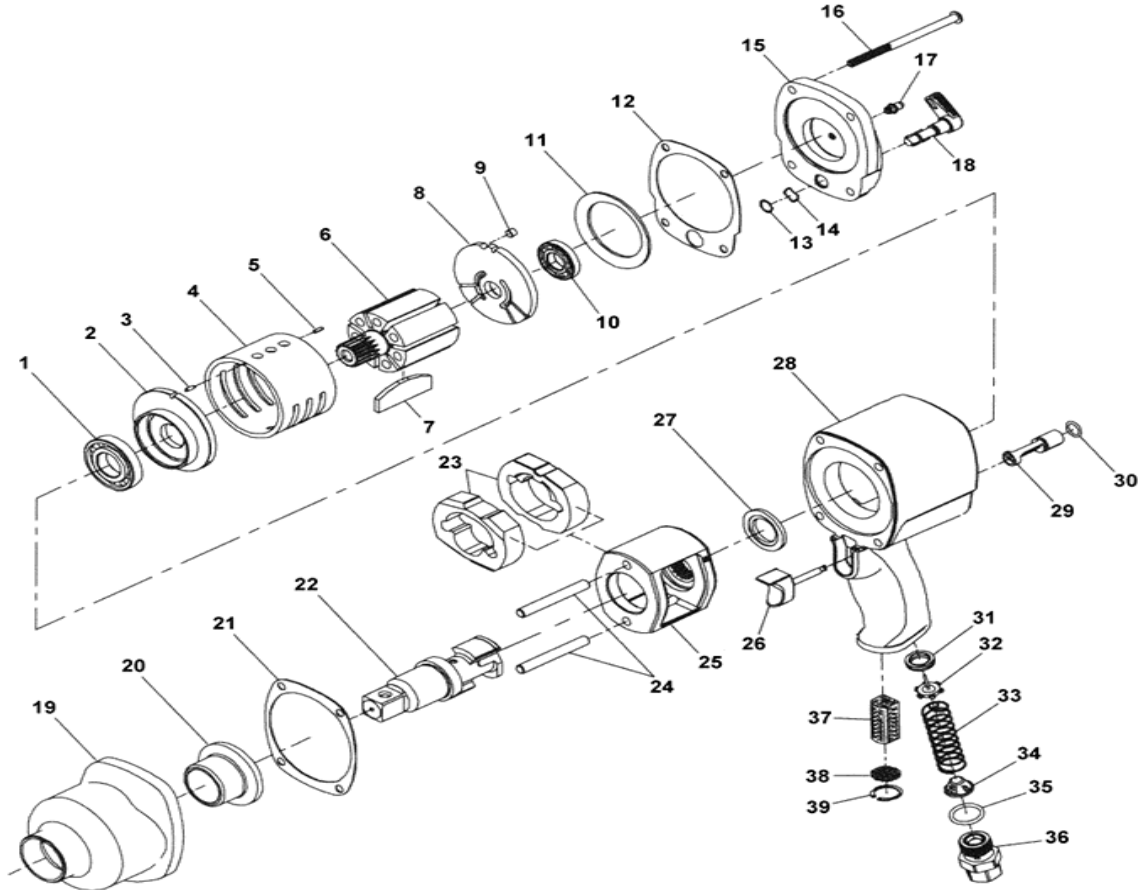


INGERSOLL-RAND MODEL 2925 1" IMPACT WRENCH



Index	Part No.	Description	Index	Part No.	Description
1	834-24	BALL BEARING	20	2161-641	HAMMER CASE BUSHING
2	2925-11	FRONT END PLATE	21	2161-36	HAMMER CASE GASKET
3	JC3350-538	CYLINDER DOWEL	22	2910-826	ANVIL
4	2925-3	CYLINDER	23	2925-724	HAMMER
5	JC3350-538	CYLINDER DOWEL	24	2910-704	HAMMER PIN
6	2925-53	ROTOR	25	2925-703	HAMMER FRAME
7	2925-42	VANE	26	2161-A93	TRIGGER ASSY.
8	2925-12	REAR END PLATE	27	2161-706	HAMMER FRAME WASHER
9	2920-74	END PLATE DOWEL	28	2925-A40	MOTOR HOUSING
10	4E-510	BALL BEARING	29	2161-329	REVERSE VALVE
11	2161-207	MOTOR CLAMP WASHER	30	23446	REVERSE VALVE O RING
12	2161-739	BACKCAP GASKET	31	DG230-303	THROTTLE VALVE SEAL
13	2161-28	REVERSE LEVER SNAP RING	32	2921-302	THROTTLE VALVE
14	2161-278	REVERSE LEVER SPRING	33	2161-51	THROTTLE VALVE SPRING
15	2925-102	BACKCAP	34	834-61	AIR STRAINER
16	2925-638	BACKHEAD BOLT	35	AF120-290	OILER BODY SEAL
17	R1-188	FITTING	36	2161-A465	INLET BUSHING
18	2925-658	REVERSE LEVER	37	202-311	MUFFLER ELEMENT
19	2161-A727	HAMMER CASE ASSY.	38	2161-23	EXHAUST DEFLECTOR
20	2161-641	HAMMER CASE BUSHING	39	2161-118	RETAINING RING

You order today, We ship today!

More models on the web @ www.toolsrenewed.com