

Tools Renewed, Inc
 800-247-3639
 Fax: 860-665-9821
 Email: sales@toolsrenewed.com

MODEL 4025 PAVING BREAKER

4050 SPIKE DRIVER

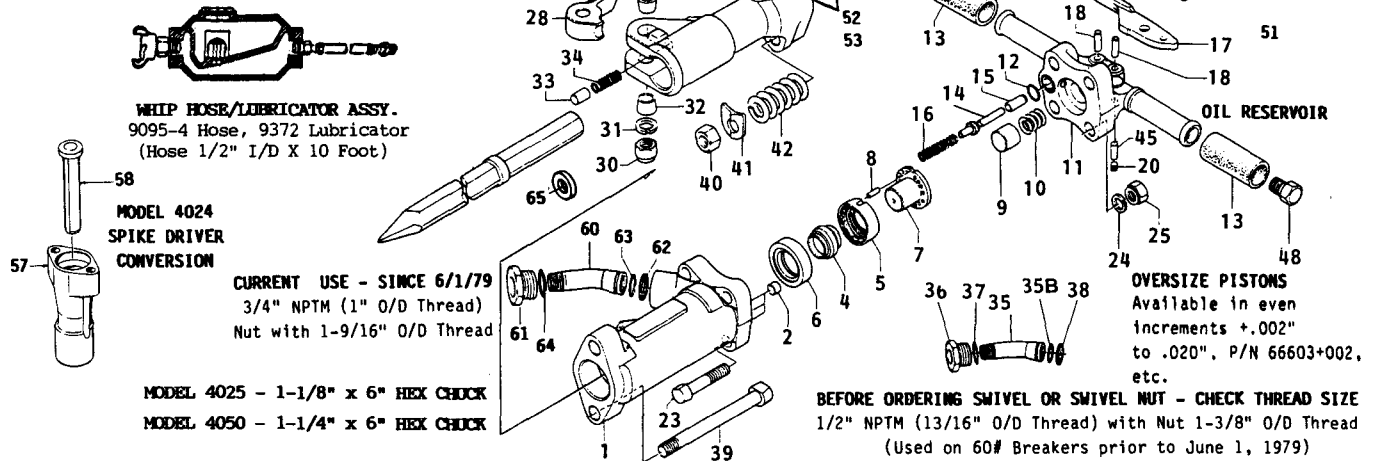


60 LB. CLASS

SYM. NO. 51, P/N 66651 - BACKHEAD, COMPLETE
 (Includes 11, 13, 15, 17, 18, 20, 45 & 48)

SYM. NO. 55, P/N 66655 - FRONTHEAD, COMPLETE 1-1/8"
 (Includes 21, 28, 29, 30, 31, 32, 33, 34 & 43=1-1/8")

SYM. NO. 56, P/N 66656 - FRONTHEAD, COMPLETE 1-1/4"
 (Includes 21, 28, 29, 30, 31, 32, 33, 34, & 44=1-1/4")



SYM. NO.	NAME OF PART DESCRIPTION	AMT RQD	PART NO.	SYM. NO.	NAME OF PART DESCRIPTION	AMT RQD	PART NO.
1	Cylinder, bare	1	66601	33	Plunger, steel retainer	1	66933
2	Plug, cylinder	3	66902	34	Spring, steel retainer plunger	1	66934
3	Piston (hammer)	1	66603	35	Swivel, air inlet 1/2" NPTM)REFER		66635
4	Valve, automatic	1	66904	35B	O/ring, for 1/2" NPTM swivel) TO		66622
5	Chest, automatic valve, rear	1	66605	36	Nut, 1-3/8" O/D thrd, for 1/2" swivel)NOTES		66636
6	Seat, automatic valve, front	1	66606	37	O/ring, for 1-3/8" thrd swivel nut) ABOVE		66637
7	Guide (stem), automatic valve	1	66607	38	Screen, air for 1/2" swivel assy)		66638
8	Pin, dowel, automatic valve assy.	1	66908	39	Bolt, fronthead	2	66639
9	Plunger (cap), automatic vlv. assy.	1	66909	40	Nut, fronthead bolt	2	66940
10	Spring, plunger, automatic vlv. assy.	1	66910	41	Lockwasher, fronthead bolt nut	2	66941
11	Backhead, bare (with bushing)	1	66611	42	Spring, fronthead bolt	2	66942
12	O/ring (seal), backhead	1	66912	43	Bushing, hx, fronthead 1-1/8" x 6"	1	66643
13	Grip, handle, rubber	2	66913	44	Bushing, hx, fronthead 1-1/4" x 6"		66644
14	Valve, throttle (standard original)	1	66914	45	Felt (wick), oil control	1	66945
15	Bushing, throttle valve	1	66915	46	O/ring, retrofit throttle vlv(66947)		66946
16	Spring, throttle valve	1	66916	47	Valve, throttle, retrofit (use 66946)		66947
17	Lever, throttle	1	66917	48	Plug, handle oil reservoir	1	66648
18	Pin, throttle lever	2	66918	51	Backhead complete		66651
20	Plug, oil control, for felt wick	1	66920	52	Fronthead w/bushing only, 1-1/8" hx		66652
21	Fronthead, bare (no ck.bushing or ret)	1	66621	53	Fronthead w/bushing only, 1-1/4" hx		66653
23	Bolt, backhead	4	66623	55	Fronthead, complete 1-1/8"bushing & latch		66655
24	Lockwasher, backhead bolt	4	66924	56	Fronthead, complete 1-1/4"bushing & latch		66656
25	Nut, backhead bolt	4	66925	57	Driver, spike fronthead		66657
26	Seat, tappet (anvil bushing)	1	66626	58	Ram (dolly) spike driver		66958
27	Tappet (anvil)	1	66627	60	Swivel, air inlet 3/4" NPTM	1	66935
28	Retainer, steel (latch)	1	66928	61	Nut, 1-9/16" O/D thrd, for 3/4" swivel	1	66936
29	Bolt, steel retainer	1	66929	62	Screen, air for 3/4" swivel assy	1	66938
30	Nut, steel retainer bolt	1	66930	63	O/ring, for 3/4" NPTM swivel	1	66922
31	Lockwasher, steel retainer bolt	1	66931	64	O/ring, for 1-9/16" thrd swivel nut	1	66937
32	Bushing, rubber (EDM), retainer bolt	2	66932R	65	Washer, flat, 66932 bushing cover	1	67545
	Bushing, polyurethane, retainer bolt		66932P				
	Bushing, steel (split),retainer bolt		66932S				

WHEN ORDERING PARTS, PLEASE SPECIFY MAKE, MODEL, PART NUMBER AND PART DESCRIPTION.