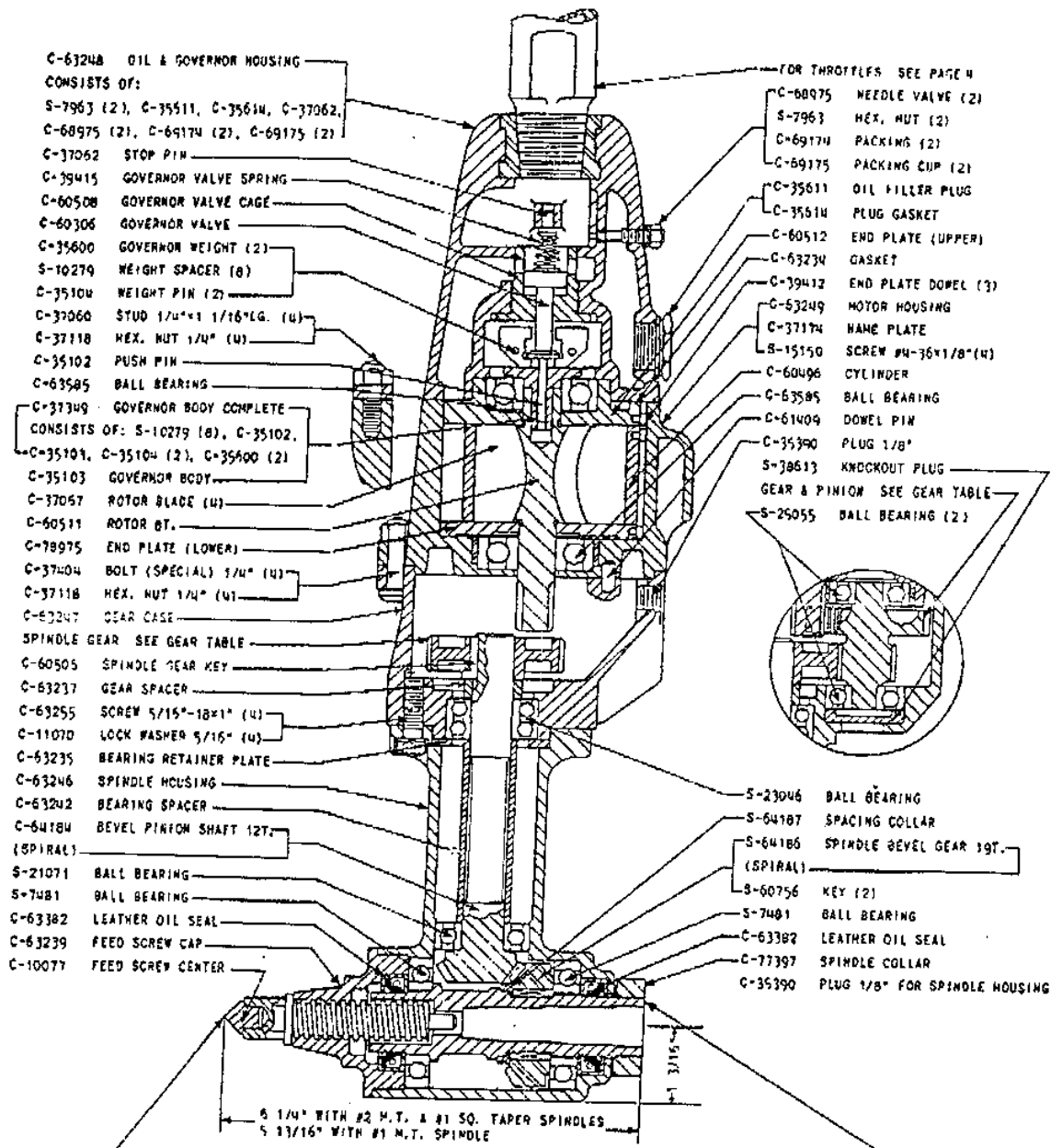


CP - 323 CORNER DRILLS

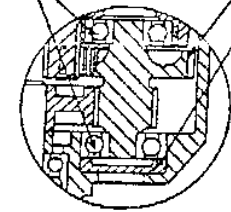
NO 1 & 2 MORSE TAPER SPINDLE

220 & 365 RPM *



- C-63248 OIL & GOVERNOR HOUSING
- CONSISTS OF: S-7963 (2), C-35511, C-35614, C-37062, C-68975 (2), C-69174 (2), C-69175 (2)
- C-37062 STOP PIN
- C-39415 GOVERNOR VALVE SPRING
- C-60508 GOVERNOR VALVE CAGE
- C-60306 GOVERNOR VALVE
- C-35600 GOVERNOR WEIGHT (2)
- S-10279 WEIGHT SPACER (8)
- C-35104 WEIGHT PIN (2)
- C-37060 STUD 1/4" x 1 1/16" LG. (4)
- C-37118 HEX. NUT 1/4" (4)
- C-35102 PUSH PIN
- C-63585 BALL BEARING
- C-37349 GOVERNOR BODY COMPLETE
- CONSISTS OF: S-10279 (8), C-35102, C-35101, C-35104 (2), C-35600 (2)
- C-35103 GOVERNOR BODY
- C-37057 ROTOR BLADE (4)
- C-60511 ROTOR BT.
- C-78975 END PLATE (LOWER)
- C-37404 BOLT (SPECIAL) 1/4" (4)
- C-37118 HEX. NUT 1/4" (4)
- C-63247 GEAR CASE
- SPINDLE GEAR SEE GEAR TABLE
- C-60505 SPINDLE GEAR KEY
- C-63237 GEAR SPACER
- C-63255 SCREW 5/16" - 18 x 1" (4)
- C-11070 LOCK WASHER 5/16" (4)
- C-63235 BEARING RETAINER PLATE
- C-63246 SPINDLE HOUSING
- C-63242 BEARING SPACER
- C-64184 BEVEL PINION SHAFT 12T. (SPIRAL)
- S-21071 BALL BEARING
- S-7481 BALL BEARING
- C-63382 LEATHER OIL SEAL
- C-63239 FEED SCREW CAP
- C-10077 FEED SCREW CENTER

- FOR THROTTLES SEE PAGE 4
- C-60975 NEEDLE VALVE (2)
- S-7963 HEX. NUT (2)
- C-69174 PACKING (2)
- C-69175 PACKING CUP (2)
- C-35611 OIL FILLER PLUG
- C-35614 PLUG GASKET
- C-60512 END PLATE (UPPER)
- C-63234 GASKET
- C-39412 END PLATE DOVEL (3)
- C-63249 MOTOR HOUSING
- C-37174 NAME PLATE
- S-15150 SCREW #4-36 x 1/8" (4)
- C-60496 CYLINDER
- C-63585 BALL BEARING
- C-61409 DOWEL PIN
- C-35390 PLUG 1/8"
- S-78613 KNOCKOUT PLUG
- GEAR & PINION SEE GEAR TABLE
- S-25055 BALL BEARING (2)



- S-23046 BALL BEARING
- S-64187 SPACING COLLAR
- S-64186 SPINDLE BEVEL GEAR 19T. (SPIRAL)
- S-60756 KEY (2)
- S-7481 BALL BEARING
- C-63382 LEATHER OIL SEAL
- C-77397 SPINDLE COLLAR
- C-35390 PLUG 1/8" FOR SPINDLE HOUSING

FEED SCREW & CENTER	
#1 MORSE TAPER	C-63238
#2 MORSE TAPER	C-63236
#1 USE-EM-UP	C-63384
#2 USE-EM-UP	C-63384
#1 SQUARE TAPER	C-65100

SPINDLE	
#1 MORSE TAPER	C-63953
#2 MORSE TAPER	C-63243
#3 USE-EM-UP	C-65096
#2 USE-EM-UP	C-63244
#1 SQUARE TAPER	C-65097

GEAR TABLE		
R.P.M.	220	365
SPINDLE GEAR	C-61507 UST.	C-60515 UDY.
INTERMEDIATE	C-41594	C-60536
GEAR & PINION	35T.G. - 11T.P.	35T.G. 15T.P.

All Threads Are Right Hand Unless Otherwise Specified

For Parts Call Tools Renewed (800) 247-3639 Fax (860) 665-9821

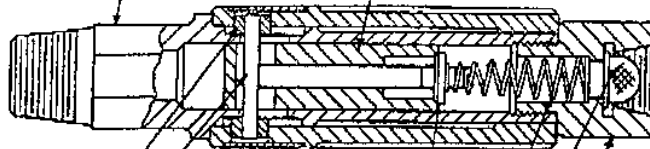
Note: Many parts are discontinued for this tool model. Please call for availability.

CP - 323 CORNER DRILLS

THROTTLES

SAFETY TYPE

- C-35461 THROTTLE COMPLETE
 CONSISTS OF: C-34054, C-34056 (2), C-34062,
 C-34066, C-35563, C-35569, C-35574, C-35701,
 C-35702, C-36909.
 C-35563 THROTTLE STEM & BUSHING (3/4" PIPE THRD.)
 C-34062 BUSHING

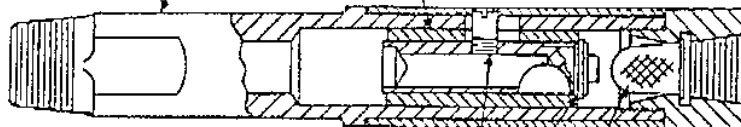


- C-35574 ROLLER PROTECTOR
 C-34066 ROLLER PIN
 C-34056 ROLLER (2)
 C-34054 THROTTLE PLUG
 C-35569 SLEEVE
 C-35702 SPRING
 C-36909 AIR STRAINER
 C-35701 THROTTLE CAP (1/2" PIPE TAP)

All Threads Are Right Hand
 Unless Otherwise Specified

STANDARD TYPE

- C-12041 THROTTLE COMPLETE
 CONSISTS OF: C-11058, C-11060, C-11061,
 C-11062, C-12050, C-77693.
 C-12050 THROTTLE STEM & BUSHING (3/4" PIPE THRD.)
 C-11059 BUSHING

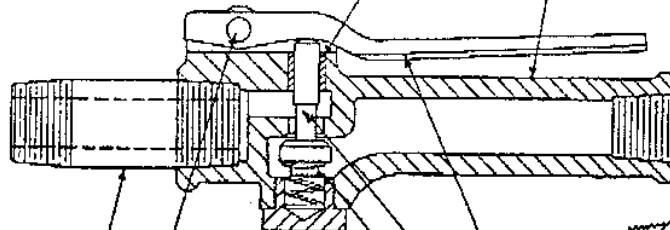


- C-11061 SLEEVE
 C-11062 THROTTLE SCREW
 C-11060 THROTTLE PLUG
 C-77693 AIR STRAINER
 C-11058 THROTTLE CAP (1/2" PIPE TAP)

All Threads Are Right Hand
 Unless Otherwise Specified

LEVER TYPE

- C-62142 THROTTLE COMPLETE
 CONSISTS OF: C-62110, C-62123, C-62124,
 C-62125, C-62764, C-65049, C-65050.
 C-62764 THROTTLE BODY & BUSHING
 (1/2" PIPE TAP NOSE END)
 C-65049 BUSHING



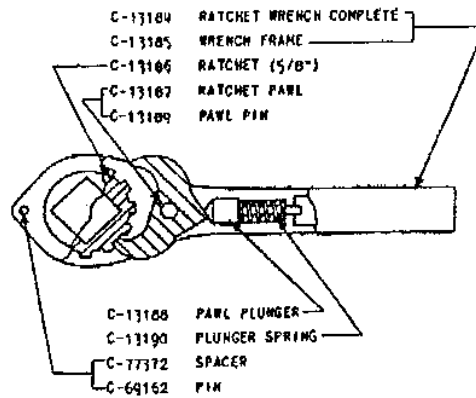
- C-62125 CAP
 C-62110 SPRING
 C-65050 THROTTLE VALVE
 C-62123 LEVER
 C-62124 LEVER PIN
 C-38527 THROTTLE NIPPLE 3/4"
 C-62111 AIR STRAINER COMPLETE (3/8" PIPE TAP)

All Threads Are Right Hand
 Unless Otherwise Specified

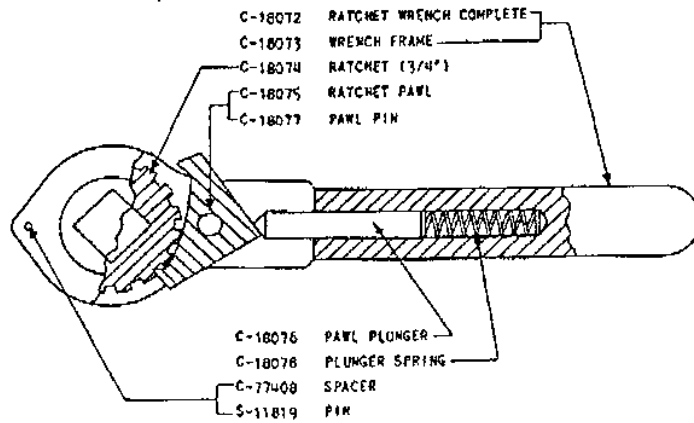
For Parts Call Tools Renewed (800) 247-3639 Fax (860) 665-9821

Note: Many parts are discontinued for this tool model. Please call for availability.

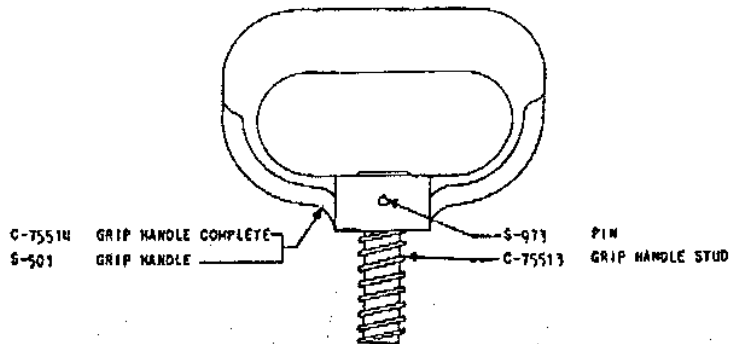
CP-323 CORNER DRILLS
RATCHET WRENCHES & GRIP HANDLE



FOR NO. 1 & 2 MORSE TAPER SPINDLES



FOR NO. 3 MORSE TAPER SPINDLE



For Parts Call Tools Renewed (800) 247-3639 Fax (860) 665-9821

Note: Many parts are discontinued for this tool model. Please call for availability.