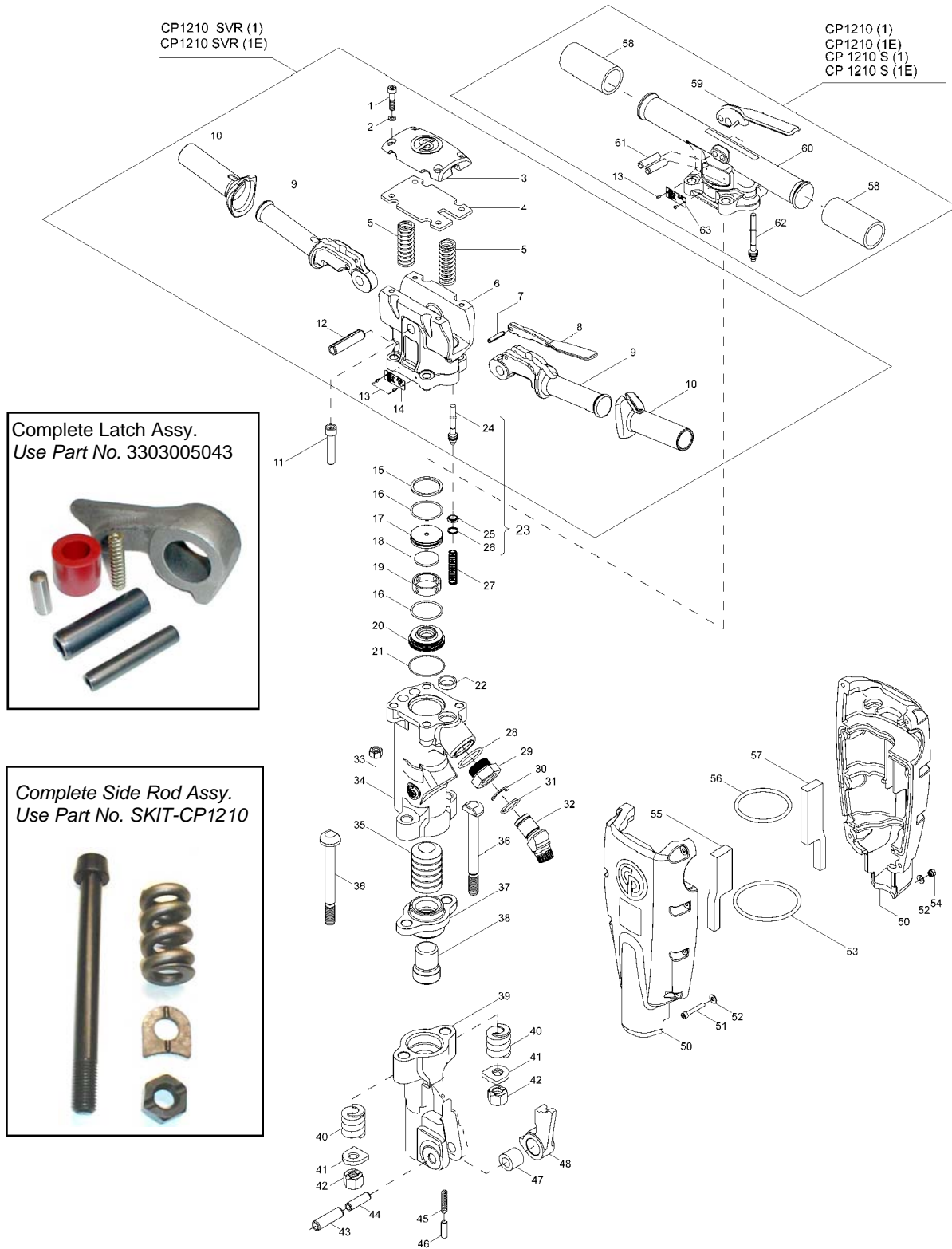


CP-1210S Demolition Tool (35 lbs) (New Design after 2006)



You order today, We ship today!

More models on the web @ www.toolsrenewed.com

TOOLS RENEWED, INC. AIR TOOL PARTS
Toll Free 800-247-3639 Fax 860-665-9821 Web www.toolsrenewed.com

CP-1210S Demolition Tool (35 lbs) (New Design after 2006)

Index	Part No.	Qty	Description
1	0211132700	4	Socket Head cap screw
2	0301233500	4	Washer - Top cover
3	3303005019	1	Top cover
4	3303005026	1	Buffer pad assembly
5	3303005025	2	Spring - Handle
6	3303005015	1	Backhead (V .R .)
7	R145866	1	Pin - Lever
8	3303005021	1	Lever - Throttle
9	3303005017	2	Handle
10	3303005022	2	Grip
11	0211140700	4	Socket Head cap screw
12	0108153500	1	Roll pin
13	P081333	2	Self tapping screw
14	3303005032	1	Data plate
15	3303005031	1	Gasket
16	C102642	2	O-ring
17	R138096	1	Upper valve lid
18	R138094	1	Valve
19	R138095	1	Valve case
20	3303005024	1	Lower valve case lid
21	H0310447	1	O-ring
22	R110215	1	Seal - Cylinder
23	3303005036		Throttle valve assembly. (Includes item no. 24-26)
24		1	<i>Throttle valve</i>
25	R098368	1	<i>Seal - Throttle valve</i>
26	R098369	1	<i>Ring - Valve seal retaining</i>
27	R005717	1	Spring - Throttle valve
28	R056605	1	O-ring
29	3303005013	1	Nut - Air inlet swivel
30	3310105900	1	Lock washer - Swivel
31	0663212600	1	O-ring - Swivel
32	3303005012	1	Swivel—Air Inlet
33	3303005030	4	Nut (M12)
34	3303005029	1	Cylinder
35	R110212	1	Piston
36	R110217	2	Bolt - Fronthead
37	R110203	1	Bushing - Anvil block
38	R085427	1	Block - Anvil
39	F815478	1	Fronthead 1" for CP 1210, CP 1210 S
40	R093698	2	Spring
41	R041073	2	Lock - Fronthead nut
42	R110218	2	Nut - Fronthead bolt
43	0108110304	1	Roll pin
44	0108139500	1	Roll pin
45	R086982	1	Spring - Plunger
46	R092497	1	Plunger - Latch
47	R048540	1	Retainer latch bushing
48	R092493	1	Retainer - Latch
50	3303005007	1	Silencer
51	0211125300	8	Socket Head cap screw (M6 x 1 - 45L)
52	F826979	16	Washer
53	663214600	1	O-ring - Silencer (Bottom)
54	0291112815	8	Nylock nut
55	3303005010	1	Sealing pad - Silencer (Left)
56	0663214300	1	O-ring - Silencer (Top)
57	3303005011	1	Sealing pad - Silencer (Right)
58	F816345	2	Rubber grip
59	F814725	1	Lever
60	3303005000	1	Backhead
61	R133433	2	Roll pin
62	F882246	1	Throttle valve
63	3303005037	1	Data plate

You order today, We ship today!

More models on the web @ www.toolsrenewed.com