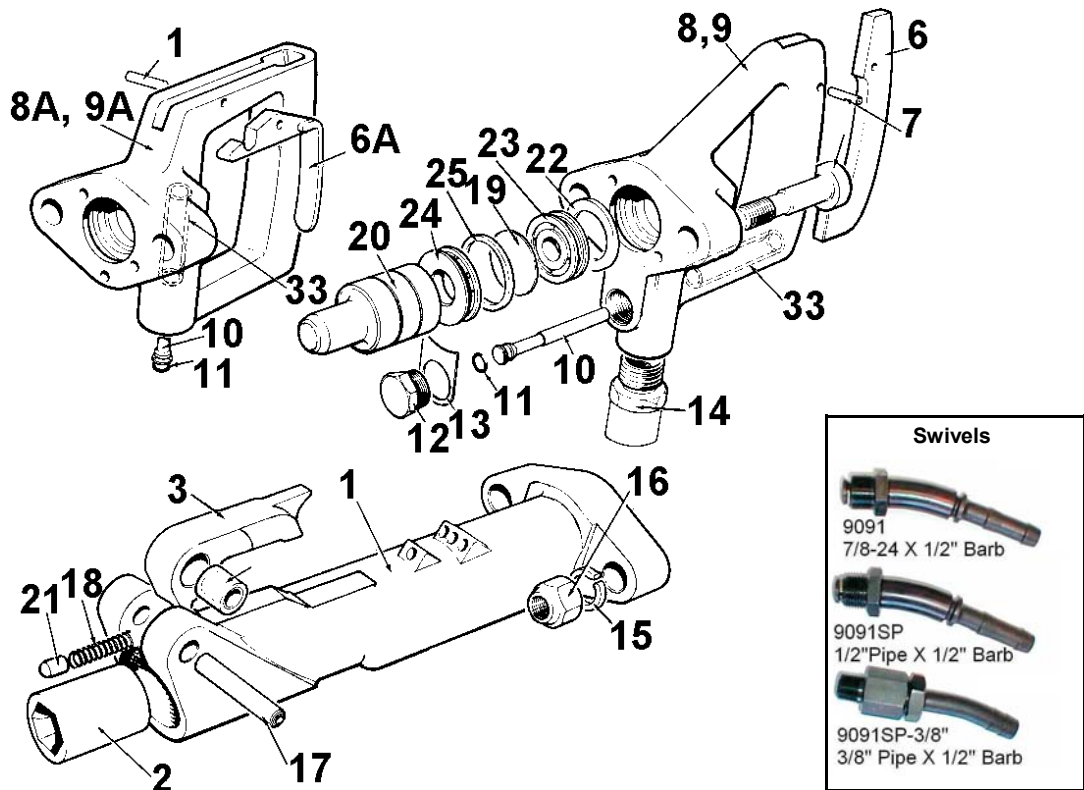


**CP-222 Utility Hammer**  
 (20 lbs)



| INDEX NO. | PART NO. | DESCRIPTION                   | INDEX NO. | PART NO. | DESCRIPTION             |
|-----------|----------|-------------------------------|-----------|----------|-------------------------|
| 1         | F-815288 | CYLINDER ASSY                 | 14        | F-814130 | NIPPLE-AIR INLET        |
| 2         | F-813919 | SLEEVE-TOOL                   | 15        | R-000550 | LOCKWASHER              |
| 3         | F-815269 | LATCH ASSY                    | 16        | P-081091 | NUT-BACKHEAD BOLT       |
| 4         | F-815174 | BUSHING-LATCH                 | 17        | R-133758 | PIN-LATCH RETAINER      |
| 5         | F-815270 | HANDLE-OUTSIDE TRIG.          | 18        | R-086982 | SPRING-RETAINER PLUNGER |
| 6         | F-815161 | LEVER-OUTSIDE TRIGGER         | 19        | F-012659 | VALVE                   |
| 6A        | F-815167 | LEVER-INSIDE TRIGGER          | 20        | F-815015 | PISTON                  |
| 7         | R-133757 | PIN-THROTTLE LEVER            | 21        | F-813308 | PLUNGER-LATCH           |
| 8         | F-815160 | HANDLE-OUT. TRIG.             | 22        | F-813908 | PAD-VALVE CASE PRELOAD  |
| 8A        | F-815166 | HANDLE-IN. TRIGG.             | 23        | F-814774 | LID-UPPER CASE          |
| 9         | F-815271 | HANDLE-OUTSIDE TRIGGER-COMPL. | 24        | F-814775 | LID-LOWER CASE          |
| 9A        | F-815852 | HANDLE-INSIDE TRIGGER-COMPL.  | 25        | F-814776 | CASE-VALVE              |
| 10        | F-814812 | VALVE-THROTTLE                | 26        | F-813911 | BOLT-HANDLE             |
| 11        | P-083071 | O-RING (-011)                 | 27        | R-141765 | MUFFLER                 |
| 12        | F-814440 | PLUG-T.VALVE                  | 28        | P-072446 | SCREW-HEX               |
| 13        | F-814582 | WASHER-TAB                    | 33        | F-813910 | BUSHING-T.VALVE         |