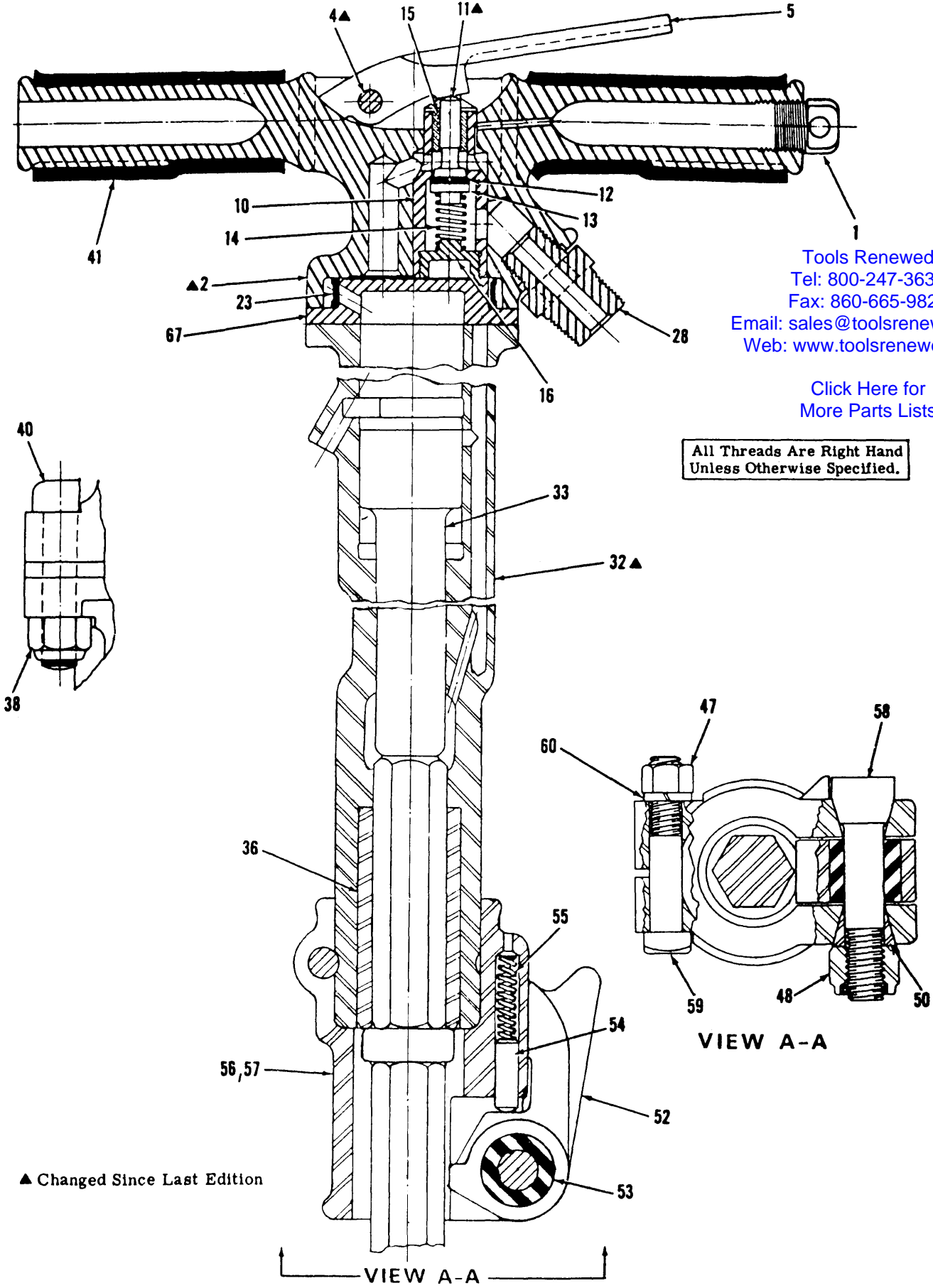


CP - 111/CP -111-S DEMOLITION TOOL Models "A" & "K"



Tools Renewed
Tel: 800-247-3639
Fax: 860-665-9821
Email: sales@toolsrenewed.com
Web: www.toolsrenewed.com

[Click Here for More Parts Lists](#)

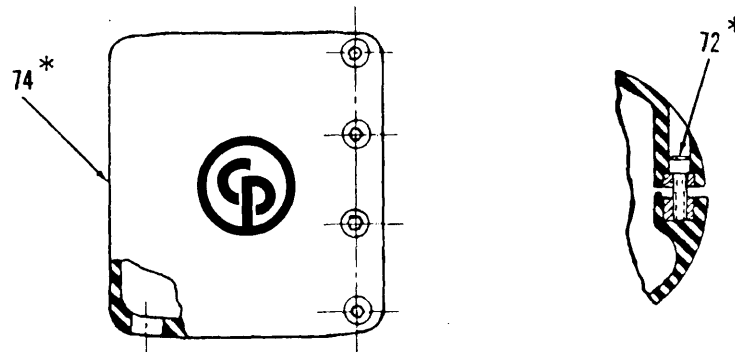
All Threads Are Right Hand Unless Otherwise Specified.

CP - 111/CP -111-S DEMOLITION TOOL Models "A" & "K"

Tools Renewed
 Tel: 800-247-3639
 Fax: 860-665-9821
 Email: sales@toolsrenewed.com
 Web: www.toolsrenewed.com

[Click Here for
 More Parts Lists](#)

* USED ON CP-111-S DEMO ONLY



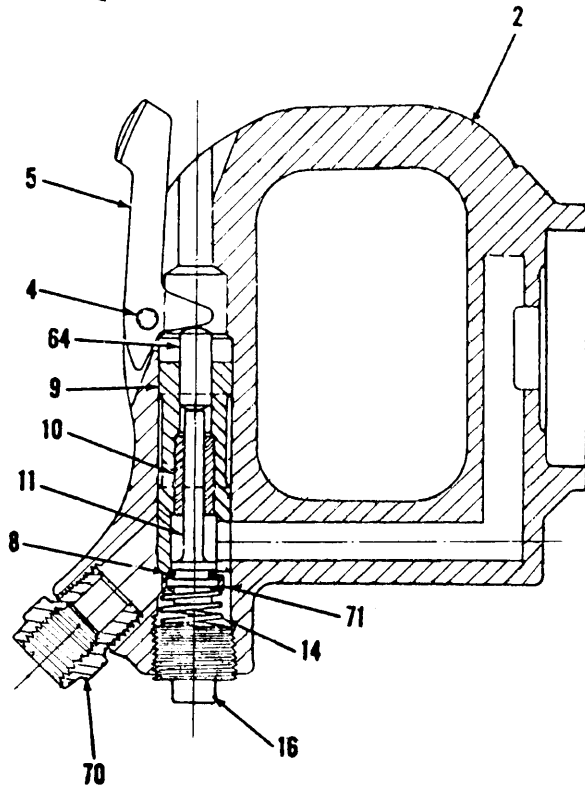
▲ Changd Since Last Edition

Index No.	CP Part No.	Description	No. Req'd
1	R-000560	Plug-Oil	1
2▲	R-070105	Backhead (Double Grip) (Incl : Index NO's 10 & 15)	1
4▲	R-133433	Pin - Trigger	1
5	R-070110	Lever - Throttle Valve	1
10	R-070106	Bushing - Throttle Valve	1
11▲	R-045370	Valve - Throttle (Incl : Index No's 12 & 13)	1
12	R-045375	Seal - Valve	1
13	R-045374	Retainer - Seal	1
14	R-001836	Spring - Throttle Valve	1
15	R-070109	Bushing - Throttle Valve Stem	1
16	R-070108	Plug - Throttle Valve Bushing	1
23	R-070103	Valve	1
28	R-075227	Nipple - Air Inlet	1
32▲	R-137060	Cylinder (Incl : Index No. 36)	1
33	R-070102	Piston	1
36	R-070112	Bushing - Chuck (1" Hex x 4 1/4")	1
38	P-006099	Nut - Backhead Bolt (9/16" - 18)	4
40	R-070111	Bolt - Backhead (9/16" - 18)	4
41	R-005716	Handle - Rubber	2
47	R-000555	Nut - Head Latch (1/2" - 13)	1
48	P-081091	Nut - Latch Retainer (5/8" - 18)	1
50	R-092499	Bushing - Latch Retainer Bolt	1
52	R-092493	Retainer - Latch	1
53	R-048540	Bushing - Latch Retainer	1
54	R-092497	Plunger - Latch Retainer	1
55	R-086982	Spring - Latch Retainer Plunger	1
56	R-092500	Latch Type Retainer (Incl : Index No's 47, 48, 50, 52, 53, 54, 55, 57, 58, 59 & 60)	1
57	R-092492	Head - Latch Retainer	1
58	R-092498	Bolt - Latch Retainer (5/8" - 18 x 3 1/2")	1
59	P-002123	Bolt - Head Latch (1/2" - 13 x 2 3/4")	1
60	C-036717	Lockwasher - Head Latch	1
67	R-070104	Block - Valve	1
72	P-072446	Screw - Cap (1/4" - 28 x 5/8")	4
74	F-814133	Muffler - Complete (Incl : Index No. 72)	1

When ordering spare parts, give Name, Speed or Size, Model and Serial Number of the tool and Part Number and Description of each part desired.

CP - 111/CP -111-S DEMOLITION TOOL Models "A" & "K"

R - 278139 BACKHEAD COMPLETE - OUTSIDE TRIGGER



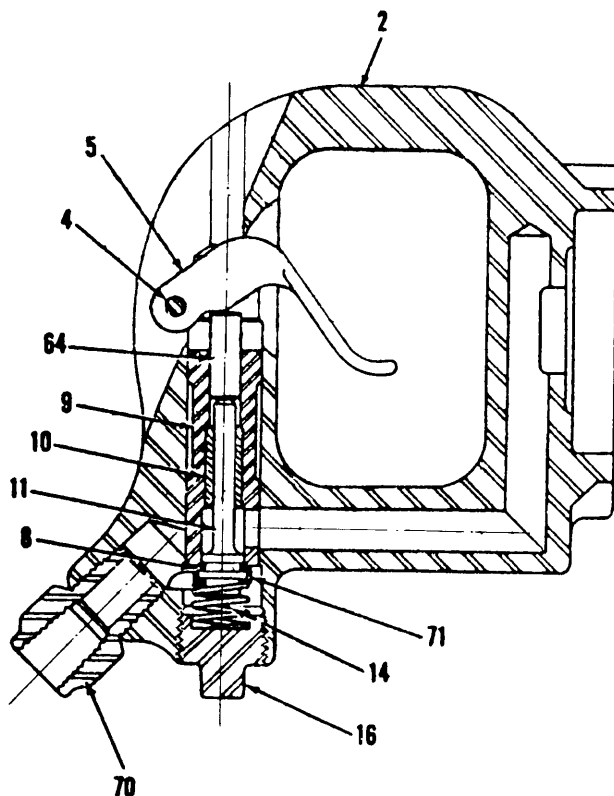
All Threads Are Right Hand
Unless Otherwise Specified.

Tools Renewed
Tel: 800-247-3639
Fax: 860-665-9821
Email: sales@toolsrenewed.com
Web: www.toolsrenewed.com

[Click Here for
More Parts Lists](#)

Index No.	CP Part No.	Description	No. Req'd
2	R-070114	Backhead (Incl : Index No's 9 & 10)	1
4	A-043627	Pin - Lever	1
5	P-003070	Lever - throttle Valve	1
8	CA-088867	'O' Ring (-110)	1
9	P-005154	Bushing - Throttle Valve	1
10	P-005157	Bushing - Push Pin (Ream. 2498 - 2502 After Assy)	1
11	P-092090	Valve - Throttle	1
14	P-006170	Spring - Throttle	1
16	P-001884	Plug - Throttle Valve	1
64	P-005156	Pin - Plush	1
70	P-001983	Bushing - Air Inlet	1
71	P-092091	Retainer - 'O' Ring	1

R-278141 BACKHEAD COMPLETE - INSIDE TRIGGER



All Threads Are Right Hand
Unless Otherwise Specified.

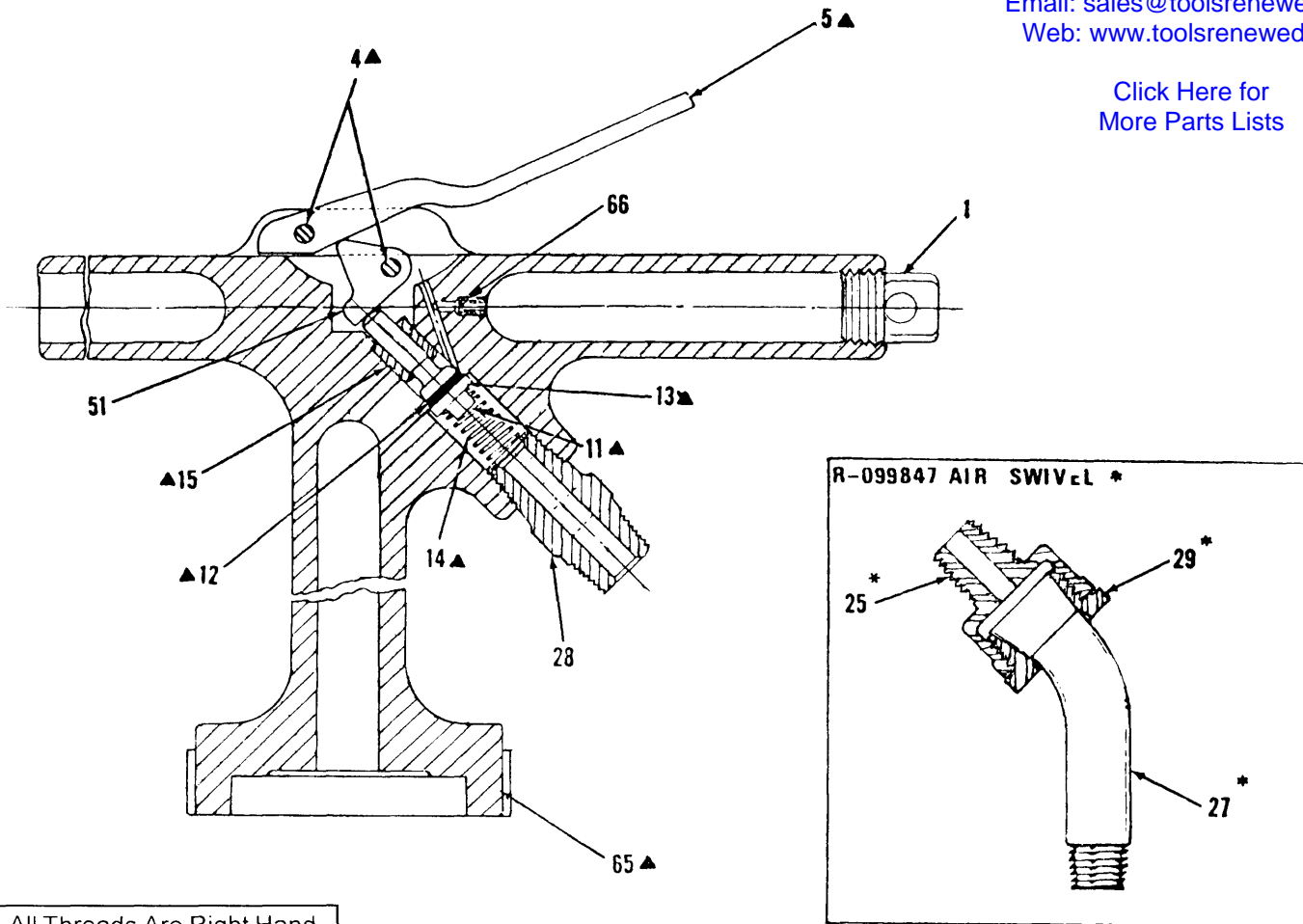
Index No.	CP Part No.	Description	No. Req'd
2	R-093104	Backhead	1
4	A-043627	Pin - Lever	1
5	R-093103	Lever - Throttle Valve	1
8	CA-088867	'O' Ring (-110)	1
9	P-005154	Bushing - Throttle Valve	1
10	P-005157	Bushing - Push Pin	1
11	P-092090	Valve - Throttle	1
14	P-006170	Spring - Throttle	1
16	P-001884	Plug - Throttle Valve	1
64	P-005156	Pin - Push	1
70	P-001983	Bushing - Air Inlet	1
71	P-092091	Retainer - 'O' Ring	1

CP - 111/CP -111-S DEMOLITION TOOL Models

BACKHEAD AND EXTENSION HANDLE COMPLETE
R-278134 (INCLUDES INDEX NO'S 1 thru 14, 28 and 51 thru 66)

Tools Renewed
Tel: 800-247-3639
Fax: 860-665-9821
Email: sales@toolsrenewed.com
Web: www.toolsrenewed.com

[Click Here for
More Parts Lists](#)



All Threads Are Right Hand
Unless Otherwise Specified.

* SPARE PARTS ONLY

▲ Changd Since Last Edition

Index No.	CP Part No.	Description	No. Req'd
1	R-000560	Plug - Oil	1
4 ▲	P-001921	Pin - Lever	2
5 ▲	P-001903	Lever - Throttle Valve	1
11 ▲	R-045370	Valve - Throttle (Incl : Index No's 12 & 13)	1
12 ▲	R-045375	Seal - Valve	1
13 ▲	R-045374	Retainer - Seal	1
14 ▲	P-001836	Spring - Throttle Valve	1
15 ▲	R-070109	Bushing - Throttle Valve	1
25 *	R-099765	Adapter - Swivel	1
27 *	R-099766	Swivel - Air	1
28	R-075227	Nipple - Air Inlet	1
29 *	R-075599	Nut - Air Inlet	1
51	R-085220	Cam - Lever	1
65 ▲	R-085219	Handle - Extension (Incl : Index No's 15 & 16)	1
66	R-004976	Plug - Oil Regulating	1

When ordering spare parts, give Name, Speed or Size, Model and Serial Number of the tool and Part Number and Description of each part desired.