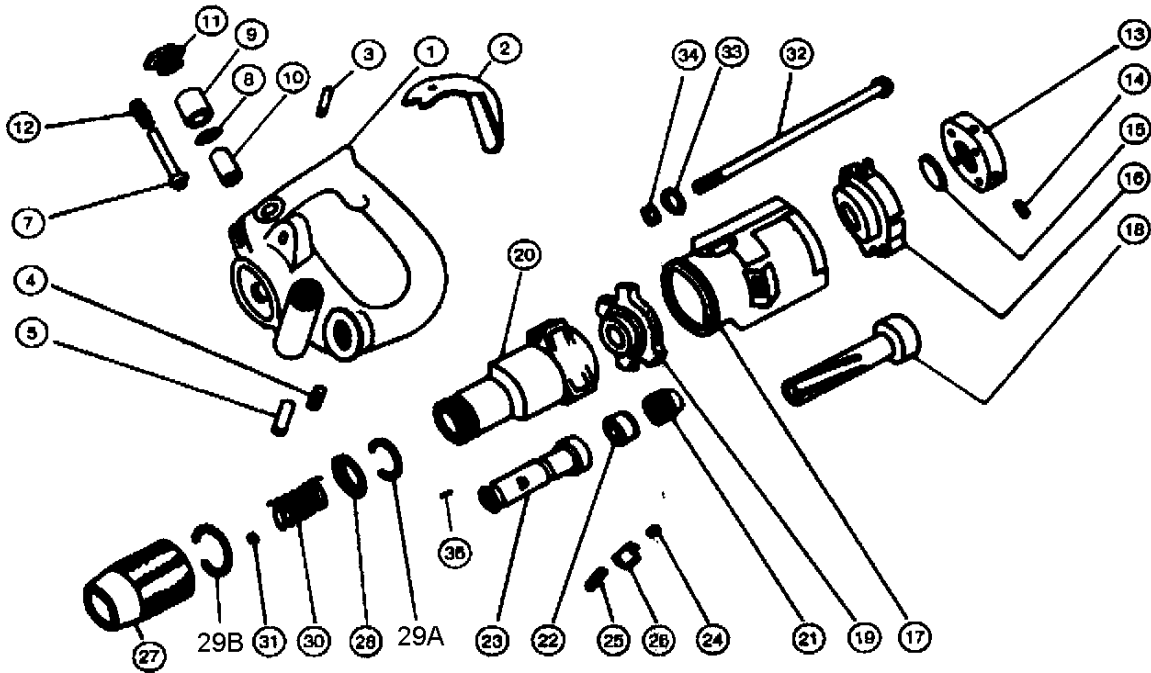


CONTINENTAL CRD-7

UTILITY DRILL



INDEX NO.	PART NO.	DESCRIPTION	QUAN. REQD.
1	7101	Handle	1
2	7102	Throttle Lever	1
3	7103	Throttle Lever Pin	1
4	7104	Plug	1
6	7105	Oil Control Felt	1
7	7107	Throttle Valve	1
8	7108	O-Ring	1
9	7109	Valve Guide	1
10	7110	Bushing	1
11	7111	Adapter	1
12	7112	Spring	1
13	7113	Valve Chest	1
14	7114	Guide Pin	1
15	7115	Valve	1
16	7116	Valve Housing	1
17	7117	Cylinder	1
18	7118	Piston	1
19	7119	Cylinder Washer	1

INDEX NO.	PART NO.	DESCRIPTION	QUAN. REQD.
20	7120	Front Cover	1
21	7121	Ratchet Ring	1
22	7122	Guide Nut	1
23	7123	Chuck	1
24	7124	Steel Ball	2
25	7125	Spring	2
26	7126	Pawl	2
27	7127	Retainer	1
28	7128	Thrust Ring	1
29A	7129-A	Spring Ring-Round	1
29B	7129-B	Spring Ring-Flat	1
30	7130	Spring	1
31	7131	Steel Ball	4
32	7132	Side Rod	2
33	7133	Spacer	2
34	7134	Nut	2
36	7136	Locking Key	1

For Parts Call Tools Renewed (800) 247-3639 Fax (860) 665-9821