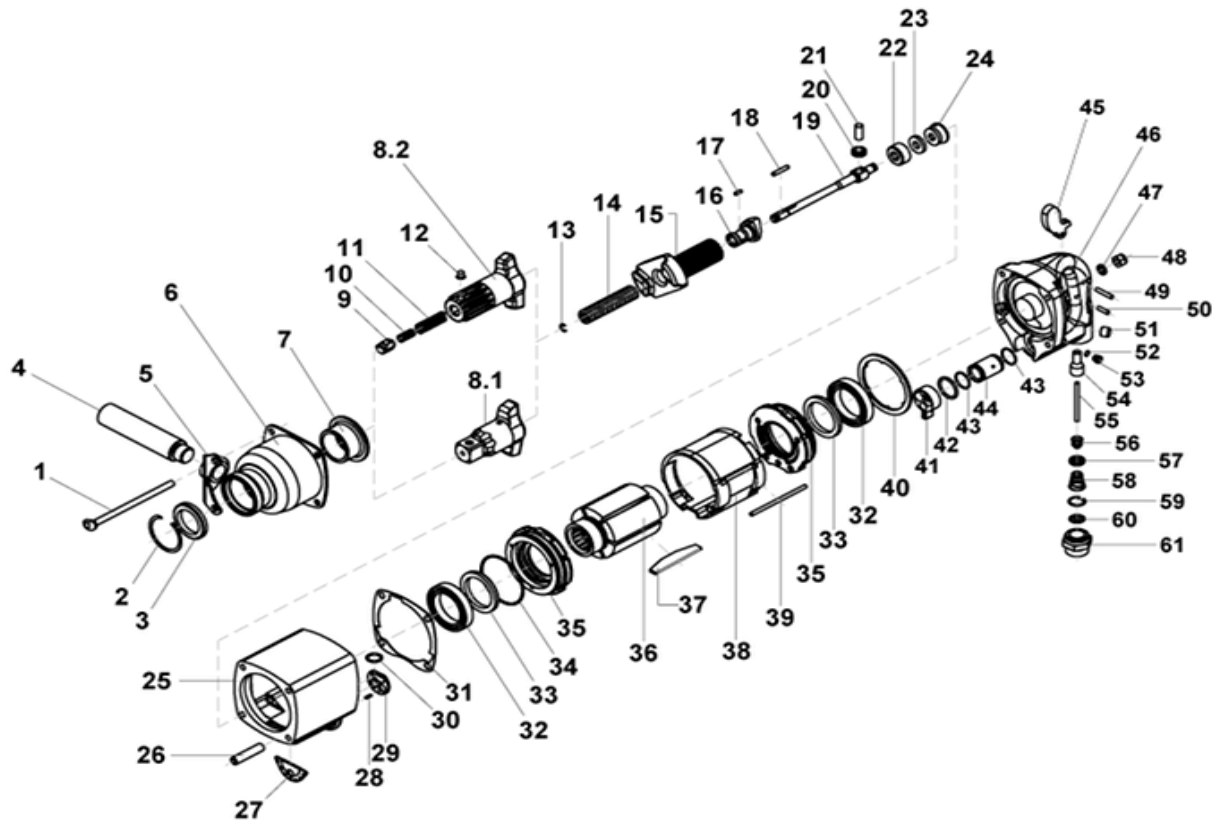


## Cleco Model 2110 Impact Wrench



1	<b>869288</b>	HOUSING BOLT	33	<b>869275</b>	ROTOR SHAFT SEAL
2	<b>869511</b>	RETAINER RING	34	<b>619751</b>	O RING
3	<b>869289</b>	ANVIL HOUSING SEAL	35	<b>869298</b>	BEARING PLATE
4	<b>842290</b>	SUPPORT HANDLE	36	<b>869299</b>	ROTOR
5	<b>865022</b>	SUPPORT HANDLE BRACKET	37	<b>869280</b>	ROTOR BLADE
6	<b>861721</b>	ANVIL HOUSING	38	<b>869294</b>	CYLINDER
7	<b>869273</b>	ANVIL BUSHING	39	<b>864117</b>	MOTOR PIN
8.1	<b>869301</b>	1" SQ DR ANVIL	40	<b>869281</b>	MOTOR CLAMP SEAL
8.2	<b>869302</b>	#5 SPLINE ANVIL	41	<b>869276</b>	REVERSING VALVE
13	<b>869274</b>	SPRING CLIP	42	<b>844320</b>	ORING
14	<b>869282</b>	HAMMER SPRING	43	<b>863009</b>	O RING
15	<b>869303</b>	HAMMER	44	<b>864971</b>	OILER HOUSING
16	<b>869296</b>	CAM	45	<b>867998</b>	INSIDE TRIGGER
17	<b>869279</b>	TIMING PIN	46	<b>869270</b>	INSIDE TRIGGER HANDLE
18	<b>869290</b>	ANVIL PIN	47	<b>203282</b>	WASHER
19	<b>869292</b>	CAM SHAFT	48	<b>865006</b>	ANVIL HOUSING NUT
20	<b>869278</b>	CAM ROLLER	49	<b>869009</b>	TRIGGER STOP PIN
21	<b>869277</b>	CAM ROLLER SHAFT	50	<b>832125</b>	VALVE BLOCK DOWEL PIN
22	<b>869011</b>	PLATE	51	<b>867801</b>	PLUG
23	<b>869012</b>	INSULATOR	52	<b>844303</b>	O RING
24	<b>867980</b>	SHOCK ABSORBER	53	<b>864387</b>	OIL FILL PLUG
25	<b>869266</b>	MOTOR HOUSING	54	<b>864975</b>	THROTTLE VALVE BUSHING
26	<b>869268</b>	RETAINER SCREW	55	<b>869286</b>	THROTTLE PIN
27	<b>869004</b>	MUFFLER PLATE	56	<b>867974</b>	THROTTLE VALVE
28	<b>863637</b>	WEAR PLATE PIN	57	<b>867977</b>	THROTTLE VALVE SEAL
29	<b>869269</b>	WEAR PLATE	58	<b>864973</b>	THROTTLE VALVE SPRING
30	<b>844312</b>	O RING	59	<b>619016</b>	RETAINING RING
31	<b>869293</b>	REAR GASKET	60	<b>843656</b>	AIR INLET SCREEN
32	<b>863097</b>	BALL BEARING	61	<b>869283</b>	INLET BUSHING