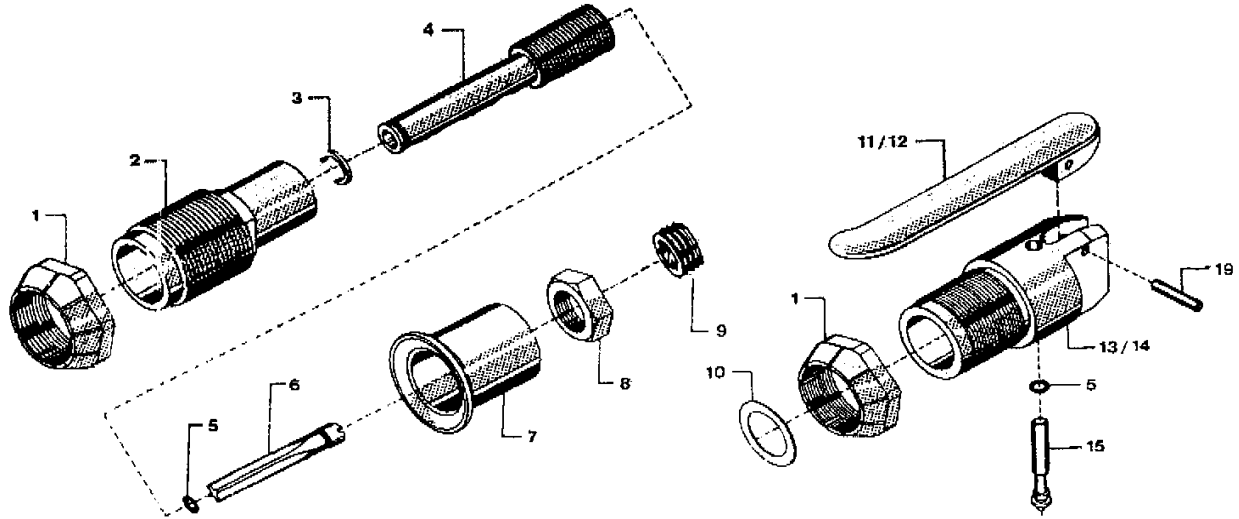
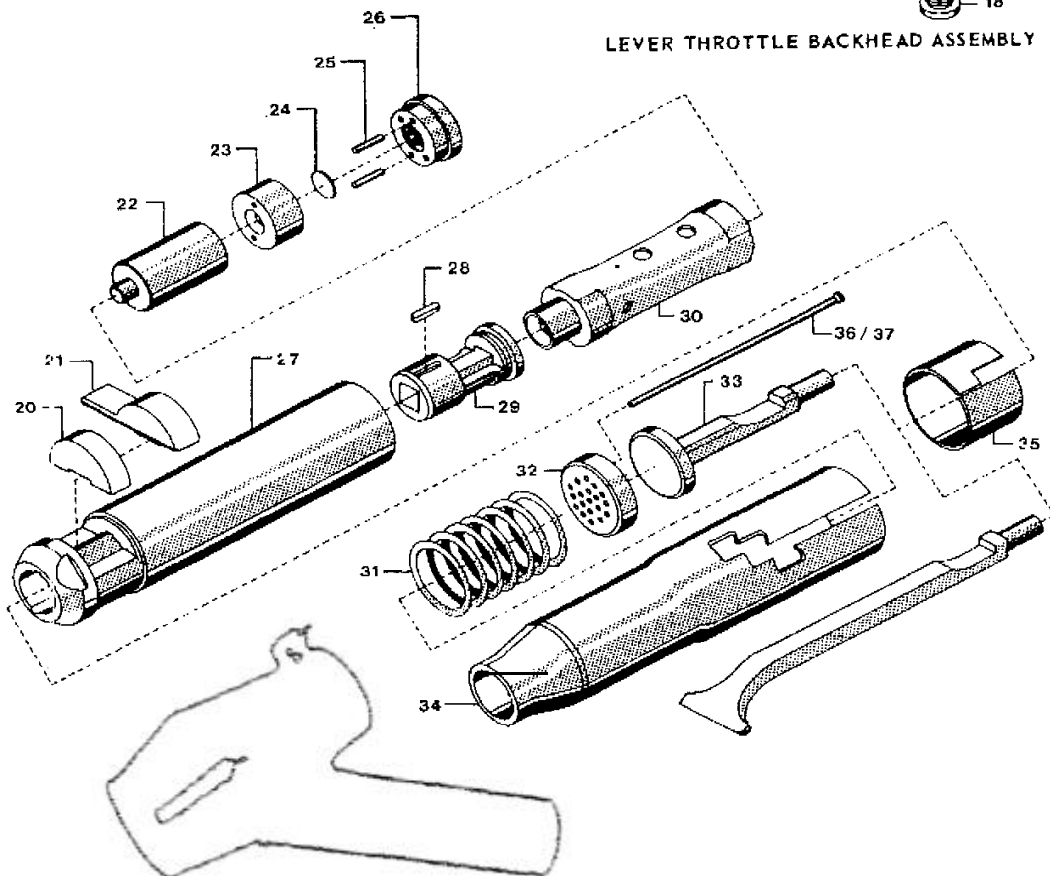


**Cleco Model B1 Scaler & Needle Scaler**



**PUSH THROTTLE BACKHEAD ASSEMBLY**

**LEVER THROTTLE BACKHEAD ASSEMBLY**



**TOOLS RENEWED, INC. AIR TOOL PARTS**  
**Toll Free 800-247-3639 Fax 860-665-9821**

**Cross Reference for Cleco B1 Scaler & Needle Scaler**

<b>Index No.</b>	<b>Description</b>	<b>Cleco Part Number</b>
1	BH Lock Ring	832882
2	BH Push Throttle	832807
3	Snap Ring	833600
4	T.V. Casing	832095
5	O-Ring	844302
6	Throttle Valve	831092
7	Handle	832610
8	Case Lock Nut	843645
9	BH Lock Ring	
10	BH Spacer	832947
11	T. Lever (thick)	834780
12	T. Lever (thin)	832142
13	Backhead (thick)	834781
14	Backhead (thin)	
15	Throttle Valve	834782
16	T.V. Spring	832078
17	T.V. Cap Gasket	832636
18	T.V. Cap	832207
19	Throttle Lever Pin	834848
20	Retainer Buffer	833527
21	Retainer	832956
22	Plunger	832373
23	Valve Block	832508
24	Valve	832196
25	Valve Block Pin	832126
26	Valve Block Button	832173
27	Barrel	832313
28	Tool Nose Key	842801
29	Tool Nose	832963
30	Barrel Sleeve	832700
31	Needle Holder Spring	834044
32	Needle Holder	834046
33	Needle Driver	834045
34	Needle Tube	834779
35	Retainer Clip	832554
36	Needle-5" (19 per set)	834043
37	Needle-7" (19 per set)	834024
38	Vacume Attachment	