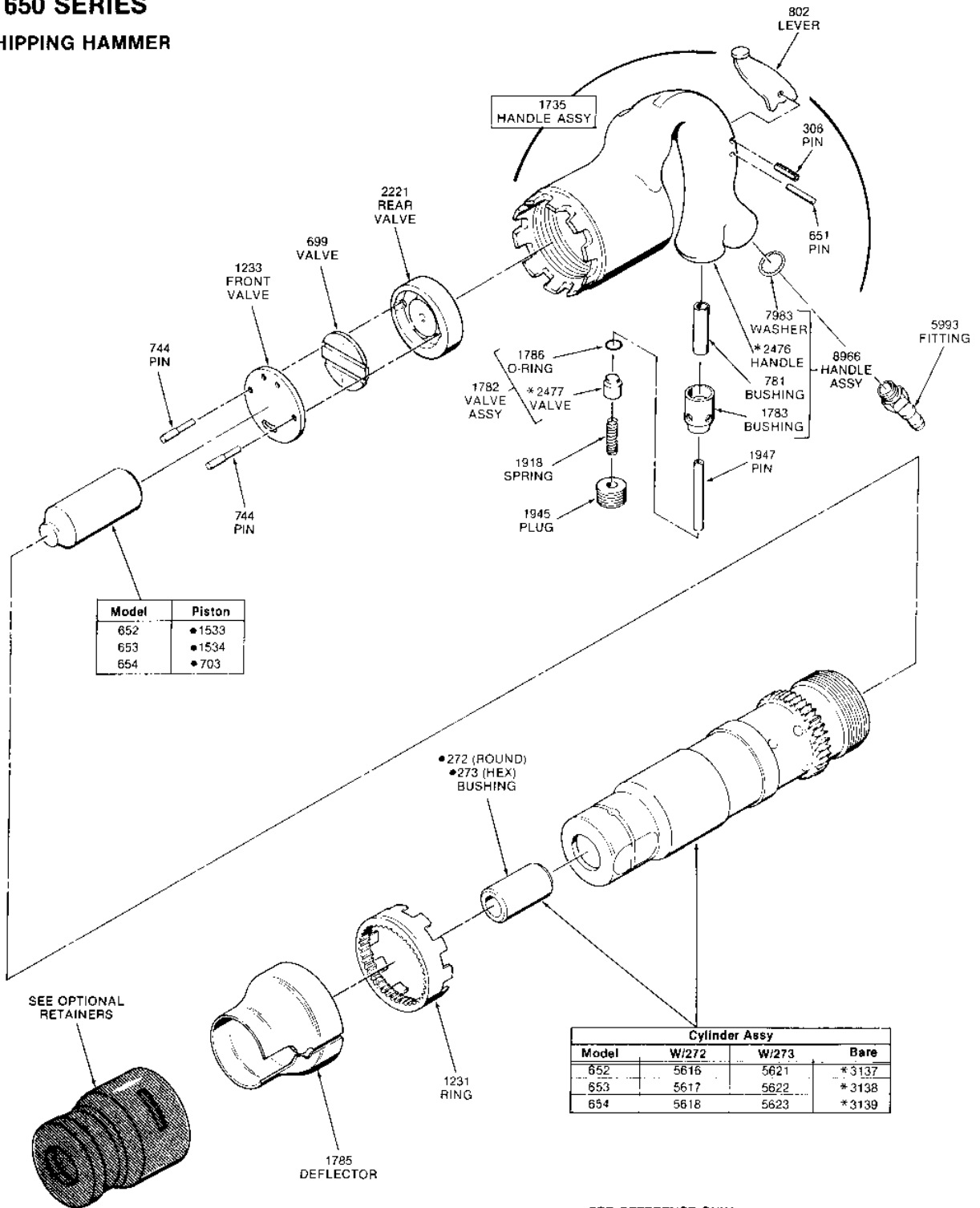


**APT MODEL
650 SERIES
CHIPPING HAMMER**



*FOR REFERENCE ONLY
(THESE PARTS NOT SOLD SEPARATELY)
•Piston and bushing are available oversize — (.002, .006, & .010).

For Parts Call Tools Renewed (800) 247-3639 Fax (860) 665-9821

FEATURES:

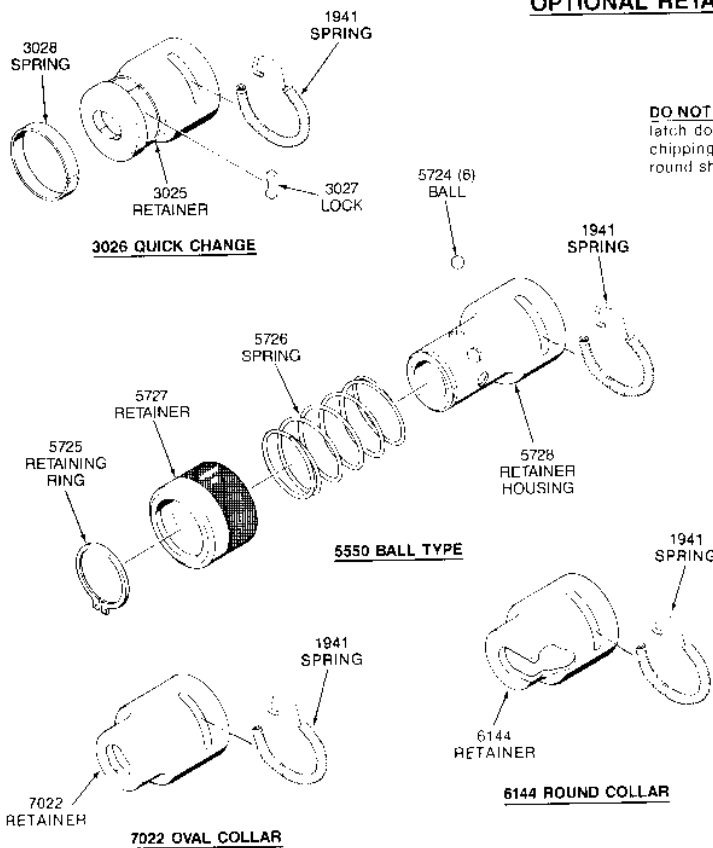
- CYLINDER GROOVED FOR RETAINER
- REPLACEABLE BUSHING
- SWIVEL HOSE CONNECTION

- FLAPPER VALVE
- DROP-FORGED HANDLE
- HEAT-TREATED ALLOY STEEL CYLINDER

- LIGHTWEIGHT
- EXHAUST DEFLECTOR
- HANDLE LOCKING DEVICE

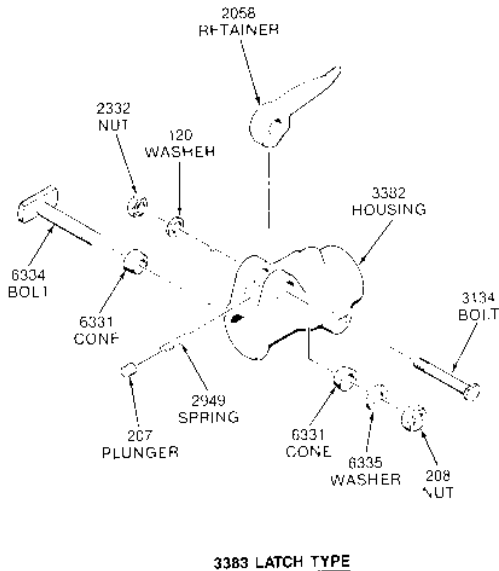
Model Number	Tool Order Number	Weight Without Retainer	Cylinder Bore x Stroke	Length Overall w/Out Retainer	Air Consumption @ 90 P.S.I.	Chuck Bushing
650 Series	650 Series	LBS.	INCHES	INCHES	C.F.M.	INCHES
652	5298	13 1/4	1 1/8 x 2	14 3/4	32-34	w/ .680 Round
	5299	13 1/4	1 1/8 x 2	14 3/4	32-34	w/ .580 Hex Round
653	5300	15 1/4	1 1/8 x 3	16 1/2	33-36	w/ .680 Round
	5301	15 1/4	1 1/8 x 3	16 1/2	33-36	w/ .580 Hex Round
654	5302	16	1 1/8 x 4	17 1/2	34-37	w/ .680 Round
	5303	16	1 1/8 x 4	17 1/2	34-37	w/ .580 Hex Round

OPTIONAL RETAINERS

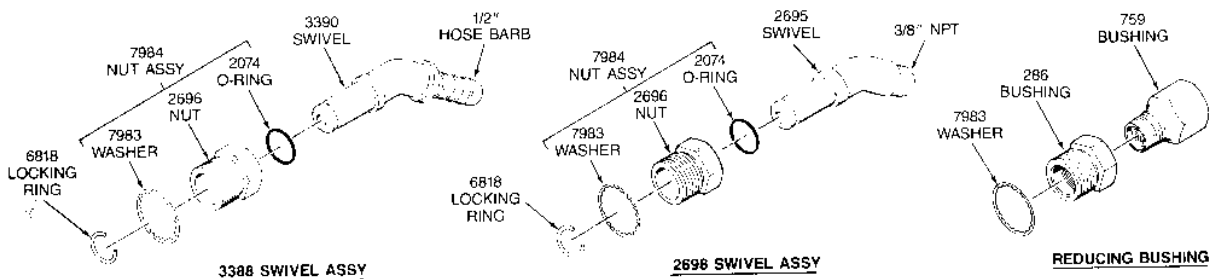


IMPORTANT

DO NOT USE 3383 Latch-type Retainer with .580 hex shank chipping hammer steel. The latch does not always catch the round collar, allowing the steel to shoot out of the chipping hammer. This retainer (3383 Assy) should be used with .680 round collar or round shank steel only.



OPTIONAL FITTINGS



For Parts Call Tools Renewed (800) 247-3639 Fax (860) 665-9821