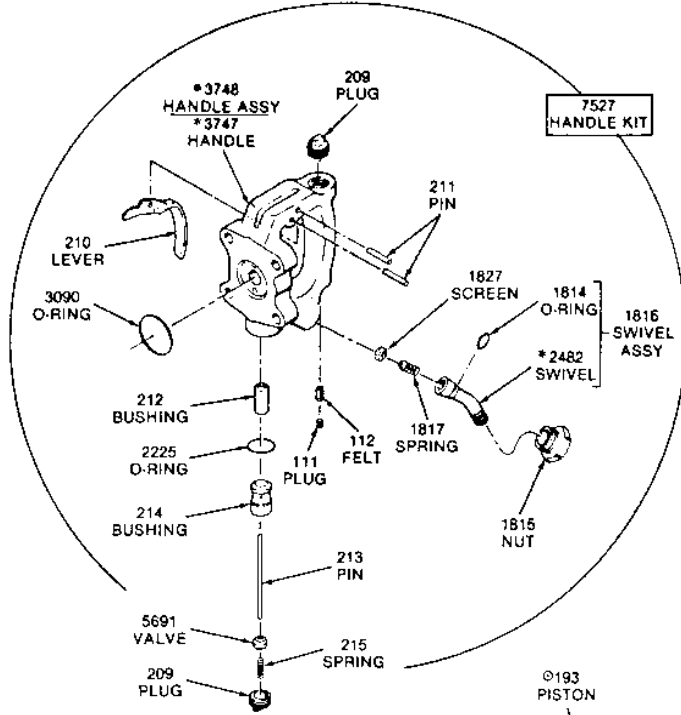
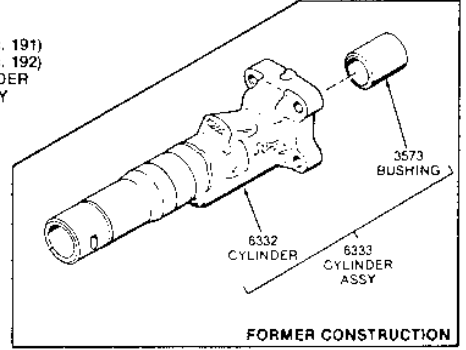
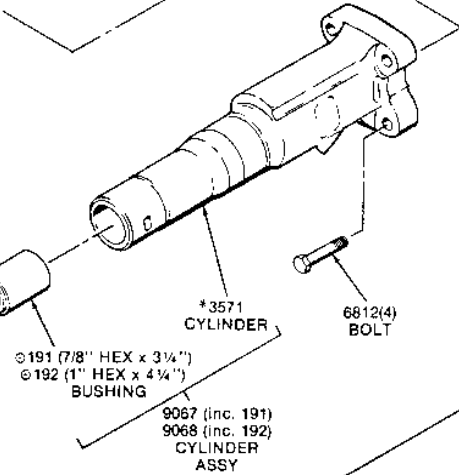
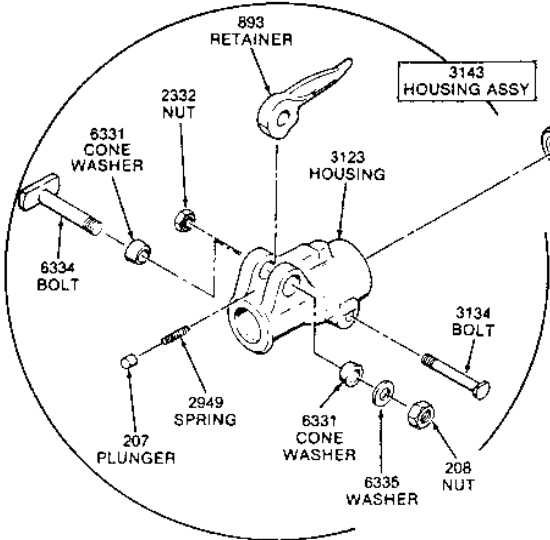
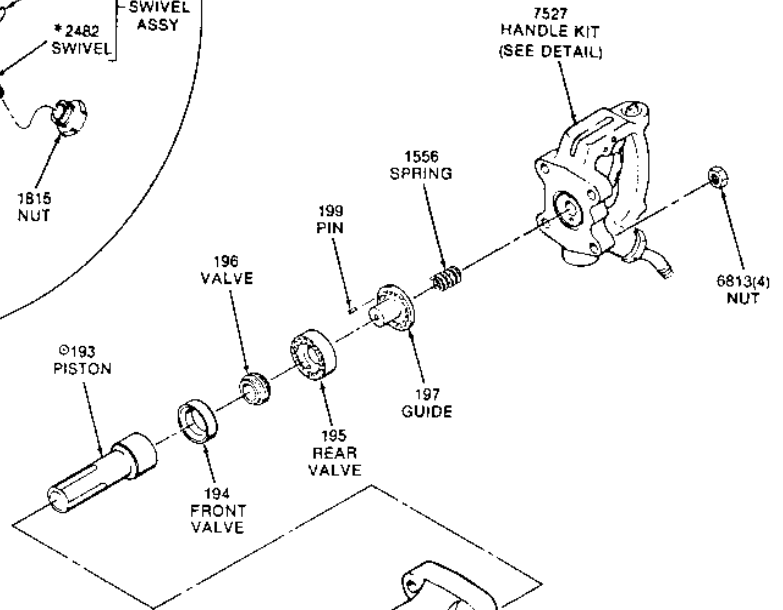


**APT Model 118 Clay Digger  
 (30 lb)**



\* 3748 Handle Assy Includes:  
 111 plug (1), 112 felt (1), 212 bushing (1), 3747 handle (1).

For complete Latch Assembly  
 Use Part Number **LKIT-APT30**  
 Includes: 893, 6334, 6331,  
 6335, 208, 2949, 207



© Piston and bushing are available oversize —  
 (.002, .004, .006, .008, .010, .012, .014, .016 & .020).

\* FOR REFERENCE ONLY  
 (THESE PARTS NOT SOLD SEPARATELY)